

# *the Boss To Go™*

SPB620



EN QUICK GUIDE

DK QUICK GUIDE

SE QUICK GUIDE

NO QUICK GUIDE

FI PIKAOPAS

# Sage®



## Contents

- 2 Sage® recommends safety first
- 6 Components
- 7 Assembly
- 8 Functions
- 8 Care & Cleaning
- 9 Troubleshooting
- 10 Guarantee

## **SAGE® RECOMMENDS SAFETY FIRST**

**At Sage® we are very safety conscious. We design and manufacture consumer products with the safety of you, our valued customer, foremost in mind. In addition we ask that you exercise a degree of care when using any electrical appliance and adhere to the following precautions.**

## **IMPORTANT SAFEGUARDS**

**READ ALL INSTRUCTIONS  
BEFORE USE AND SAVE  
FOR FUTURE REFERENCE**

- A downloadable version of this document is also available at [sageappliances.com](http://sageappliances.com)

- Before using the first time ensure your electricity supply is the same as shown on the label on the underside of the appliance.
- Remove and safely discard any packaging materials before first use.
- To eliminate a choking hazard for young children, safely discard the protective cover fitted to the power plug.
- This appliance is for household use only. Do not use the appliance for anything other than its intended use. Do not use in moving vehicles or boats. Do not use outdoors. Misuse may cause injury.
- Fully unwind the power cord before operating.
- Position the appliance on a stable, heat resistant, level, dry surface away from the edge and do not operate on or near a heat source such as a hot plate, oven or gas hob.

**Opening a pressurised tumbler may lead to ingredients splattering, or may cause burning/scalding if the contents are hot.**

**To minimise the risk of this happening, always follow the instructions below:**

- Never blend hot or warm ingredients. Stop the blending process if contents become hot due to blending.

- Never blend any ingredients for more than 1 minute. Blending for more than 1 minute may cause the ingredients to become hot and steam may cause the tumbler to become pressurised.
- Never attempt to unscrew the blade from the base of the tumbler when the tumbler becomes pressurised due to steam build-up. Allow tumbler to cool to room temperature before carefully unscrewing the blade.
- Never blend carbonated liquid, detergent, or any ingredient that could expand or generate a gas.
- Never fill the tumbler beyond the tumbler's indicated maximum capacity.
- If leakage occurs during blending, immediately stop blending and unplug the unit from the power point. Check to ensure that the tumbler is not filled past the maximum level and that there is no damage to the seal or to the tumbler. Clean up the leakage with a dry towel and screw the tumbler firmly to the blending mechanism before resuming blending.
- Vibration during operation may cause the appliance to move.
- Do not let the power cord hang over the edge of a bench or table, touch hot surfaces or become knotted.
- Always ensure the appliance is turned OFF, unplugged at the power outlet and has been allowed to cool before cleaning, attempting to move or storing.
- Always turn the appliance to the off position, switch off at the power outlet and unplug at the power outlet when the appliance is not in use.
- Do not use the appliance if the power cord, plug, or appliance becomes damaged in any way. If damaged or maintenance other than cleaning is required, please contact Sage Customer Service or go to [sageappliances.com](http://sageappliances.com)
- Any maintenance other than cleaning should be performed by an authorised Sage® service centre
- Children should not play with the appliance.
- Cleaning of the appliance should not be carried out by children unless they are 8 years or older and supervised.
- The appliance and its cord should be kept out of reach of children aged 8 years and younger.
- The installation of a residual current safety switch is recommended to provide additional safety when using all electrical appliances.

Safety switches with a rated operating current not more than 30mA are recommended. Consult an electrician for professional advice.

- Always ensure the appliance is properly assembled before use. The appliance will not operate unless properly assembled.
- Do not use the appliance on a sink drain board.
- Keep hands, fingers, hair, clothing as well as spatulas and other utensils away from moving or rotating parts during operation.
- Do not use the appliance for anything other than food and/or beverage preparation.
- In order to avoid the possible hazard of the appliance starting by itself due to inadvertent resetting of the overload protection, do not attach an external switching device (such as a timer) or connect the appliance to a circuit that can regularly switch the appliance on and off.
- Carefully read all instructions before operation and save for future reference.
- The appliance can be used by persons with reduced physical or mental capabilities or a lack of experience and knowledge, only if they have been given supervision or instruction

concerning use of the appliance in a safe way and understand the hazards involved.

- This appliance shall not be used by children.
- Do not leave the appliance unattended when in use.
- Allow the motor to rest for 1 minute between each use.
- Do not place any part of the appliance in the microwave oven.
- Be careful when handling and cleaning blades, as they are very sharp. Mishandling of the blades may cause injury.
- Avoid putting the cup or jug on the motor base while the motor is still spinning.
- Do not operate without any ingredients in the cup or jug.
- Never attempt to operate with damaged blades, or with utensils, or any foreign objects inside the cup or jug.
- Do not put the cup or jug in extremes of heat or cold, for example placing a cold jug into hot water, or vice versa.
- Blades must be firmly secured to cup before operation to ensure internal contents do not escape or spray.
- Never attempt to operate or place the blade assembly onto the motor base without the cup in place.

- Do not fill the cup past the MAX level marking as this will cause the motor to strain under heavy load and may cause potential leakage. It will also reduce blending performance. Note that some mixtures increase in volume when blending.
- A heavy load is defined as per the appliance safety standard specified load (700mL cup filled to the maximum indicated level with a mixture comprising two parts by mass of soaked diced carrots and 3 parts water). Any load equivalent to this or heavier should not be operated for more than 10 seconds at a time. Note that none of the recipes supplied with this product are considered heavier than this load.
- The milling/grinding attachment is for use with dry ingredients only.
- Hard ingredients such as cassia bark, star anise, whole clove and dry corn kernels should not be blended as they may damage the blades.



The symbol shown indicates that this appliance should not be disposed of in normal household waste.

It should be taken to a local authority waste collection centre designated for this purpose or to a dealer providing this service. For more information, please contact your local council office.

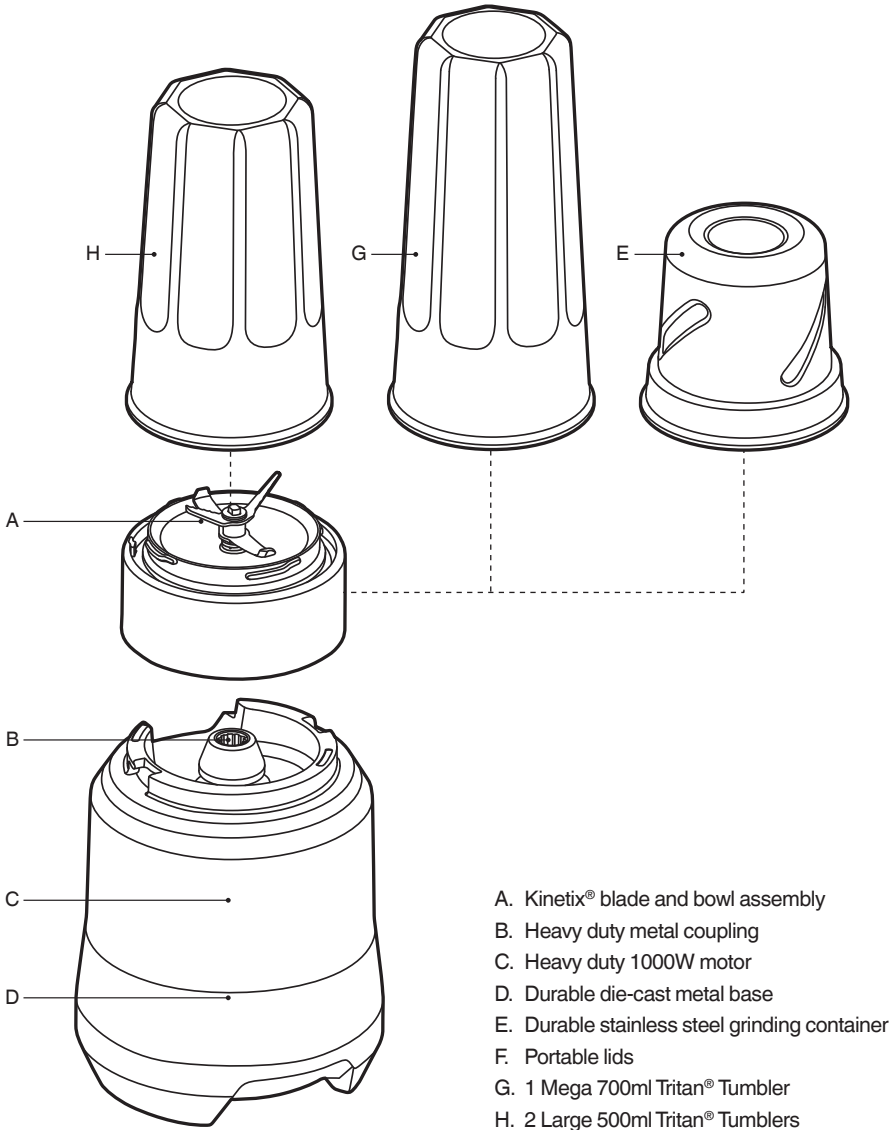


To protect against electric shock, do not immerse the power plug, cord or appliance in water or any liquid.

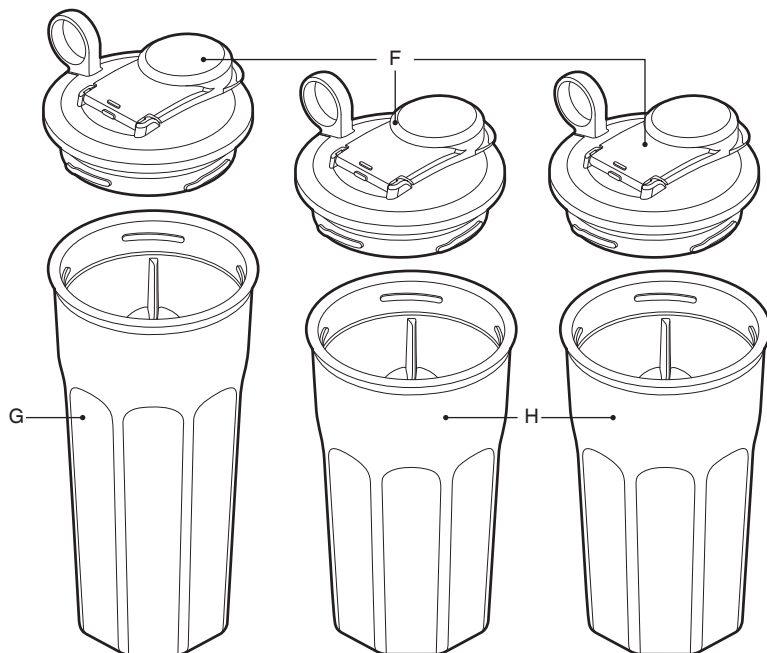
## SAVE THESE INSTRUCTIONS



# Components



**CE** Rating Information  
220-240V ~50Hz 1000W



## EASTMAN TRITAN™ COPOLYESTER

- The tumbler cups are made with Eastman Tritan™ copolyester, which is a tough, BPA-free polymer used to make housewares products that can stand up to extreme use and repeated dishwasher cleaning. Products made from Tritan™ are impact resistant and shatter resistant and stay clear and durable even after hundreds of cycles in the dishwasher.

## SAGE ASSIST™ PLUG

- Your Sage® appliance comes with a unique Sage Assist™ Plug, conveniently designed with a finger hole for easy removal from the wall outlet.



## Assembly

### BEFORE FIRST USE

- Before using your blender for the first time, remove any packaging material and promotional labels.
- Be careful when handling the blades as they are extremely sharp.
- Wash the tumblers, lids, blade assembly and attachments in warm soapy water with a soft cloth. Rinse and dry thoroughly. All parts (except motor base) may be washed in the dishwasher, on the top shelf.

- When first using your blender, you may notice an odour coming from the motor. This is normal and will dissipate with use.

### ASSEMBLY

1. Remove blades and position the cup with opening facing up.
2. Add ingredients avoiding filling past the MAX line.
3. Fix the blade assembly in place with a quarter turn in the clockwise direction. Ensure the blade assembly collar is securely in place before inverting the cup to blend.



## Functions

### OPERATION

- The blender will only work when the blades and cup are correctly assembled. This engages the safety interlock, and allows the motor to run.
- When the cup and blade assembly is correctly assembled with ingredients inside, invert cup, and place onto the motor base using the alignment graphics.
- To blend, securely hold the cup assembly and twist clockwise on the base to the ON position.
- When the desired consistency is reached, turn tumbler anti-clockwise to release and disengage the motor.
- Do not blend continuously for more than 60 seconds at a time. Allow the motor to rest for 2 minutes before continuing.
- Do not mill / grind continuously for more than 30 seconds at a time. Allow the motor to rest and the metal grinding attachment to cool for 30 seconds before continuing.
- Ingredients can be pulsed by rotating the cup within the bayonet positions, which will turn the motor on and off.
- When finished blending, wait a few seconds for the blades to stop spinning before lifting the cup assembly off the motor base.
- Invert the cup and allow the ingredients to run off the blades for a few seconds before unscrewing blades. Hold by the blade collar, and turn anti-clockwise to remove.
- For safety, turn the motor base off at the wall and unplug when finished blending.
- The grinding attachment works in a similar way to the tumblers. Attach the blades in the same way, and use either a pulsing action or continuous blending, as described above.
- The surface of the stainless steel grinding cup may become too hot to touch if grinding for longer than 30 seconds. Detach from base by holding the plastic collar.

### OVERLOAD PROTECTION SYSTEM

- The blender is equipped with an internal self resetting overload protector to protect the motor from damage under heavy or continuous loads. If the blender suddenly stops during use, this protector may have tripped.

- Remove the cup, unplug and leave it to cool for at least 30 minutes. Do not replace the cup assembly while cooling as the protector may reset causing it to start unexpectedly.
- Tripping the protector indicates that the extractor is being loaded too heavily, or with excessive continuous use. Reduce the amount of ingredients used or allow more time in between blending to prevent it from happening again, which will help preserve the life of the motor.
- The MAX line is usually a good indicator to prevent overly heavy loading, however some especially dense combinations of ingredients may still strain the motor. If the motor seems to be straining or running slowly, only operate for 10 seconds at a time, or reduce the amount of ingredients used. Adding more liquid can also help to loosen dense mixtures.



## Care & Cleaning

Unplug the power cord from the power outlet after use for safety reasons.

### Tumbler cups and lids

To keep your cups and lids clean, avoid allowing food residue to dry on them. Follow these steps as soon as possible after use:

- Rinse most of the residue off the blades, cup and lid.
- Hand wash in warm, soapy water using a mild liquid detergent and non-abrasive sponge.

### Motor base

To clean the motor base, wipe with a soft, damp cloth then dry thoroughly. Wipe any excess food particles from the power cord.

### Cleaning agents

Do not use abrasive scouring pads or cleansers on either the motor base or the cups, as they may scratch the surface. Use only warm soap water with a soft cloth.

### Pressurisation

The cups may be rinsed by adding cold water, attaching blades, and either blending or shaking by hand for 10 seconds.



**IMPORTANT:** There is a risk of pressurisation from hot water and / or detergent.

When rinsing by attaching blades and blending / shaking, never add hot or even warm water, as the steam produced can create dangerous pressurisation.

Do not add detergent, as the foam produced will expand and may cause pressurisation.

## Dishwasher

The cups, lids and blade assembly may be washed in the dishwasher on the top shelf only.

## Stubborn food stains and odours

Strong smelling foods such as cumin and coriander, and some vegetables such as carrots may leave an odour or stain the blades, cup or lid.

To remove, pour warm soapy water and fill to the MAX mark. Set aside to soak for 5 minutes. Then wash with a mild detergent and warm water, rinse well and dry thoroughly. Store cups with lids off.

## Citrus

Exposure to citrus oil may affect the clarity and longevity of the Tritan cups. After washing in detergent, rinse with plain water thoroughly, and allow to dry immediately. Do not soak if citrus has been blended.

## Storage

Store upright with the cups and blades assembled and resting on the motor base, or beside it. Do not store with the cup turned to the ON position, as this means the motor is engaged and will turn on immediately when plugged in or switched on at the wall.



## Troubleshooting

<b>Motor doesn't start or blade doesn't rotate</b>	<ul style="list-style-type: none"> <li>• Check that the power plug is properly inserted into the power outlet.</li> <li>• Overload Protection System may have operated (see below).</li> </ul>
<b>Blender stopped suddenly while in use</b>	<ul style="list-style-type: none"> <li>• This extractor has overload protection to prevent damage to the motor, which may have operated. Unplug, remove the cup and allow the motor to cool down for 30 minutes. Once cooled, you will be able to use as usual again.</li> <li>• We recommend blending in smaller batches, or cutting ingredients into smaller pieces. See Overload Protection System section for detailed information.</li> </ul>
<b>Food is lumpy or unevenly blended</b>	<ul style="list-style-type: none"> <li>• This can happen when too much food is being blended at one time. Try a smaller amount, and work in batches if necessary.</li> <li>• The ingredients may be too large. Try cutting into smaller pieces. For best results, ingredients should be in pieces no larger than 2cm.</li> </ul>
<b>Food sticks to blade and cup</b>	<ul style="list-style-type: none"> <li>• The mixture may be too thick. Try adding more liquid and / or pulsing the blender.</li> </ul>



## Guarantee

### **2 YEAR LIMITED GUARANTEE**

Sage Appliances guarantees this product for domestic use in specified territories for 2 years from the date of purchase against defects caused by faulty workmanship and materials. During this guarantee period Sage Appliances will repair, replace, or refund any defective product (at the sole discretion of Sage Appliances).

All legal warranty rights under applicable national legislation will be respected and will not be impaired by our guarantee. For full terms and conditions on the guarantee, as well as instructions on how to make a claim, please visit [www.sageappliances.com](http://www.sageappliances.com).



## Notes



## Indhold

12	Sage® anbefaler sikkerhed frem for alt
16	Komponenter
17	Samling
18	Funktioner
18	Pleje og rengøring
19	Fejlfinding
20	Garanti

## SAGE® ANBEFALER SIKKERHED FREM FOR ALT

Hos Sage® er vi meget sikkerhedsbevidste. Når vi designer og producerer forbrugerprodukter er det først og fremmest med brugernes sikkerhed for øje. Derudover beder vi om, at du udviser varsomhed, når du bruger et elektrisk apparat og overholder de følgende forholdsregler.

## VIGTIGE SIKKERHEDS-OPLYSNINGER

### LÆS HELE BRUGSANVISNINGEN, FØR MASKINEN TAGES I BRUG, OG GEM DEN TIL SENERE

- Du kan også downloade denne brugsanvisning på [sageappliances.com](http://sageappliances.com)
- Før maskinen tages i brug første gang, skal du sikre, at din elforsyning er den samme som vist på mærkaten i bunden af apparatet.
- Fjern al emballage og indpakning, før du bruger maskinen første gang.
- Bortskaf beskyttelsesindpakningen omkring stikket på forsvarlig vis, da børn kan blive kvalt, hvis de putter det i munden.
- Dette apparat er kun til husholdningsbrug. Brug ikke maskinen til andet end det tiltænkte brug. Brug ikke maskinen i køretøjer eller både i bevægelse. Brug den ikke udendørs. Forkert brug kan medføre skader.
- Ledningen skal være viklet helt ud før brug.
- Placer maskinen på en stabil, varmekast, tør flade væk fra kanten, og brug ikke maskinen nær en varmekilde som f.eks. en varmeplade eller et gasblus.

**Hvis du åbner et bæger under tryk, kan indholdet sprøjte ud eller forårsage forbrænding/skoldning, hvis indholdet er varmt. For at minimere risikoen for dette skal du altid følge nedenstående vejledning:**

- Blend aldrig varme ingredienser. Stop med at blende, hvis indholdet bliver for varmt på grund af blendningen.
- Blend aldrig nogen ingredienser i mere end 1 minut. Hvis du blander i mere end 1 minut, kan ingredienserne blive varme, og damp kan sætte bægeret under tryk.
- Forsøg aldrig at skrue knivbladmodulet løs fra bunden af bægeret, hvis bægeret kommer under tryk på grund af opbygget damp. Lad bægeret køle af til stuetemperatur, før du forsigtigt skruer knivbladmodulet løs.
- Blend aldrig væsker med kulsyre, rengøringsmidler eller andre ingredienser, der kan udvide sig og udvikle gas.
- Fyld aldrig bægeret over den angivne maksimumkapacitet.
- Hvis der opstår en lækage under blendningen, skal du stoppe med det samme og tage stikket til blenderen ud af stikkontakten. Kontrollér, at bægeret ikke er fyldt til over maksimumniveau, og at forseglingen eller bægeret ikke er beskadiget. Tør den spildte væske op med en tør klud, og skru bægeret fast på blende-mekanismen, før du fortsætter med at blende.
- Vibration under processen kan få apparatet til at flytte sig.
- Sørg for, at ledningen ikke hænger ud over bordkanten, er i kontakt med varme overflader eller er viklet sammen.
- Kontrollér altid, at maskinen er slået FRA, at stikket er taget ud, og at maskinen er kølet af, før du rengør eller flytter den.
- Sluk altid for maskinen, slå strømmen fra og tag stikket ud af stikkontakten, når maskinen ikke er i brug.
- Brug ikke apparatet, hvis strømledningen, stikket eller apparatet på nogen måde bliver beskadiget. Hvis apparatet eller tilbehøret bliver beskadiget eller der kræves anden vedligeholdelse end blot rengøring, skal du kontakte Sage kundeservice eller gå til [sageappliances.com](http://sageappliances.com)
- Al anden vedligeholdelse end almindelig rengøring skal foretages af et autoriseret Sage®-servicecenter
- Børn må ikke lege med maskinen.
- Rengøring af maskinen må ikke udføres af børn, medmindre de er over 8 år og under opsyn af en voksen.
- Maskinen og dens ledning skal være utilgængelige for børn under 8 år.

- Det anbefales at installere en automatisk sikkerhedsafbryder ved brug af alle elektriske apparater. Det anbefales at bruge sikkerhedskontakter med en maksimal arbejdsstrøm på ikke over 30mA. Kontakt en elektriker for at få professionel hjælp.
- Kontrollér altid, at produktet er rigtigt samlet, inden det bruges. Apparatet kan ikke bruges, hvis det ikke er samlet korrekt.
- Brug ikke maskinen i en vask eller på en afløbsbakke.
- Hold hænder, fingre, hår, tøj samt køkkenredskaber og andet væk fra dele, der roterer og bevæger sig.
- Brug ikke maskinen til andet end at blende fødevarer eller væsker.
- For at undgå en potentiel risiko for, at apparatet starter af sig selv pga. en utilsigtet nulstilling af sikringsfunktionen, må du ikke tilslutte en ekstern afbrydereenhed (som f.eks. en timer) eller tilslutte enheden til en strømkilde, der vil kunne slå apparatet til og fra.
- Læs hele brugsanvisningen, før maskinen tages i brug, og gem den til senere.
- Maskinen er ikke beregnet til brug af personer med nedsatte fysiske eller mentale evner, manglende erfaring og viden – medmindre de er blevet vejledt og givet brugsanvisninger af en person med ansvar for deres sikkerhed.
- Dette apparat må ikke bruges af børn.
- Lad ikke maskinen være uden opsyn, når den er i brug.
- Lad motoren holde pause i 1 minut mellem hver brug.
- Kom ikke nogen del af apparatet i en mikroovn.
- Vær forsigtig, når du håndterer og rengør knivbladene, da de er meget skarpe. Forkert håndtering af knivbladene kan resultere i skader.
- Undgå at sætte bægeret på motorbasen, mens motoren stadig kører.
- Brug ikke blenderen uden nogen ingredienser i bægeret.
- Brug aldrig blenderen, hvis knivbladene er ødelagte, eller med køkkenredskaber eller fremmedlegemer i bægeret.
- Udsæt ikke bægeret for ekstrem varme eller kulde ved f.eks. at placere et koldt bæger i varmt vand eller omvendt.
- Knivbladene skal være sat helt fast på bægeret, før du begynder at blende for at sikre, at indholdet ikke løber ud eller sprøjter ud over det hele.
- Forsøg aldrig at blende eller placere knivbladmodulet på motorbasen uden at bægeret er sat på.

- Fyld ikke bægeret til over MAX-linjen, da det vil overbelaste motoren og kan forårsage lækage. Det vil også reducere kvaliteten af blendningen. Bemærk, at nogle ingredienser kan få større volumen, når de blendes.
- Overbelastning defineres i henhold til sikkerhedsstandarderne for apparatet (700 ml-bæger fyldt til maksimumniveau med en blanding bestående af to dele gulerodsstykker og 3 dele vand). En belastning svarende til denne eller mere må ikke blendes i mere end 10 sekunder ad gangen. Bemærk, at en af opskrifterne, som følger med dette produkt, anses for at overstige denne belastning.
- Den medfølgende maleanordning er kun beregnet til tørre ingredienser.
- Hårde ingredienser som kassia-bark, stjerneanis, hel nellike og tørre majs-kerner må ikke blendes, da de kan beskadige knivbladene.



Det viste symbol angiver, at denne maskine ikke må bortskaffes som normalt husholdningsaffald.

Den skal afleveres på en lokal genbrugsstation eller til en forhandler, som tilbyder denne service. Kontakt de lokale myndigheder for at få yderligere oplysninger.

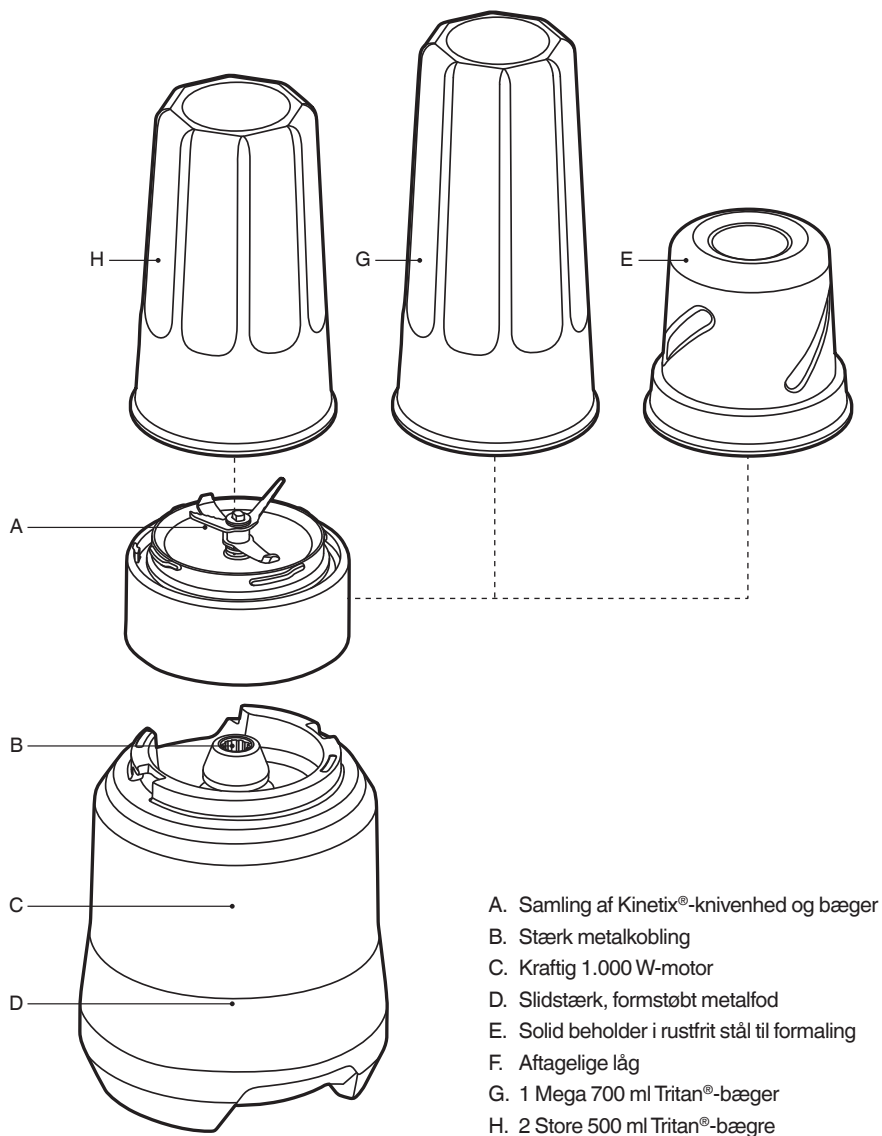


For at undgå elektrisk stød må hverken stik, ledning eller maskinen sænkes i vand eller blive udsat for fugt.

## GEM DISSE INSTRUKTIONER

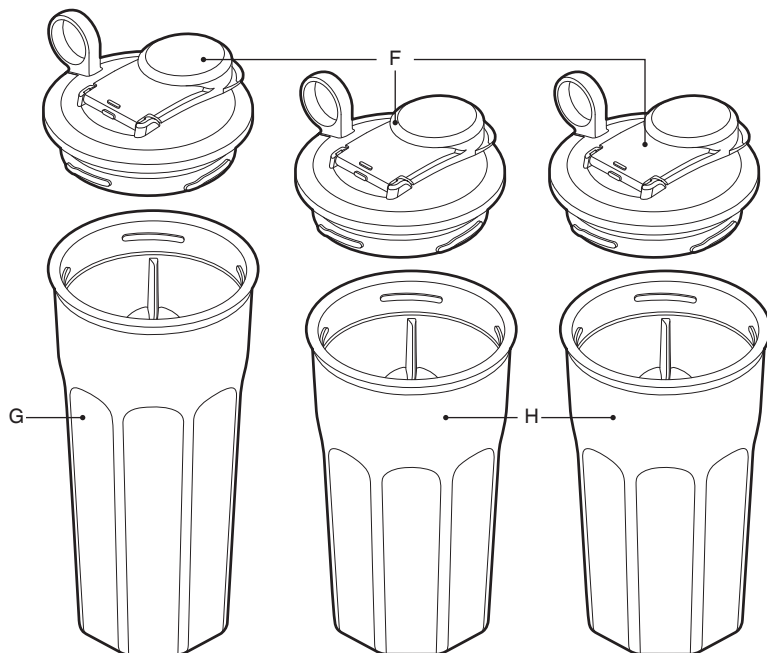


## Komponenter



**CE** Oplysninger om elektricitet  
220-240 V ~50 Hz 1.000 W





## EASTMAN TRITAN™ COPOLYESTER

- Bægrene er fremstillet af Eastman Tritan™ copolyester, der er en kraftig, BPA-fri polymer, som bruges til husholdningsprodukter, og som tåler gentagen brug og hyppig maskinopvask. Produkter fremstillet af Tritan™ er slagfaste og splintsikre og bliver ved med at være solide og se pæne ud selv efter at have været i opvaskemaskinen hundredvis af gange.

## SAGE ASSIST™-STIK

- Dit apparat fra Sage® har et unikt stik af typen Sage Assist™ med et praktisk fingerhul, så du nemt kan tage det ud af stikket i væggen.



## Samling

### FØR FØRSTE BRUG

- Før du bruger din blender første gang skal du fjerne eventuel emballage og reklameetiketter.
- Vær forsigtig med knivbladene, da de er ekstremt skarpe.
- Vask bægrene, lågene, knivbladmodulet og tilbehøret i varmt sæbevand med en blød klud. Skyl og tør grundigt. Alle dele (undtagen motorbasen) kan vaskes i opvaskemaskine, på øverste hyld.
- Første gang du bruger blenderen, vil du måske bemærke, at der kommer en lugt fra motoren. Dette er helt normalt og vil forsvinde, efterhånden som du bruger blenderen.

### SAMLING

1. Fjern knivbladene og placer bægeret med åbningen vendende opad.
2. Tilføj ingredienserne, idet du undgår at fylde over MAX-linjen.
3. Lås knivbladmodulet på plads ved at dreje det en kvart omgang med uret. Sørg for, at knivbladmodulet sidder ordentligt fast, før du vender bægeret for at starte blendningen.



## Funktioner

### BLENDNING

- Blenderen virker kun, hvis knivbladmodulet og bægeret er samlet korrekt. Dette vil aktivere sikkerhedslåsen, så motoren kan køre.
- Når bæger og knivbladmodul er samlet korrekt med ingredienserne i bægeret, skal du vende bægeret om og placere knivbladmodulet med bægeret ovenpå oven på motorbasen i forhold til justeringsmærkerne.
- For at blende skal du holde godt fast i bægermodulet og dreje med uret på basen mod positionen ON (til).
- Når den ønskede konsistens er opnået, skal du dreje bægeret mod uret for at stoppe blendingen og slå motoren fra.
- Blend aldrig længere end 60 sekunder ad gangen. Lad motoren holde pause i 2 minutter, før du fortsætter.
- Blend/kværn aldrig længere end 30 sekunder ad gangen. Lad motoren og kværnetilbehøret af metal køle af i 30 sekunder, før du fortsætter.
- For at opnå en puls-effekt skal bægeret drejes frem og tilbage, hvilket får motoren til at tænde og slukke.
- Vent et par sekunder, når du er færdig med at blende, så knivbladene stopper med at dreje rundt, før du løfter bægeret fra motorbasen.
- Vend bægeret om, og lad ingredienserne løbe væk fra knivbladene i et par sekunder, før du skruer knivbladmodulet af. Hold fast i knivbladmodulet, og drej mod uret for at fjerne det.
- Af sikkerhedshensyn skal du tage stikket til motorbasen ud af stikkontakten, når du er færdig med at blende.
- Kværnetilbehøret fungerer på samme måde som blendebægerne. Sæt knivbladmodulet fast på samme måde, og brug enten puls-effekt eller vedvarende blending.
- Overfladen på beholderen i rustfrit stål kan blive meget varm, hvis du kværner i mere end 30 sekunder. Fjern den fra basen ved at holde om plasticringen.

### SYSTEM TIL BESKYTTELSE MOD OVERBELASTNING

- Blenderen er udstyret med en intern overbelastningssikring for at beskytte mod motorskade, hvis der blendes for store mængder eller i for lang tid. Hvis blenderen pludselig stopper midt i det hele, kan det være denne sikring, der er blevet udløst.
- Fjern bægeret, tag stikket ud, og lad blenderen køle af i mindst 30 minutter. Sæt ikke bægermodulet på igen, mens blenderen kører ned, da sikringen kan blive nulstillet og dermed starte uventet.
- Når sikringen udløses, indikerer det, at blenderen er blevet fyldt for meget eller har kørt for længe. Reducer mængden af ingredienser, eller hold flere pauser i blendingen for at forhindre, at det sker igen. Dette vil også sikre, at motoren holder længere.
- MAX-linjen er normalt en god indikator for at forhindre overfyldning, men visse meget faste ingredienser kan alligevel overbelaste motoren. Hvis motoren lyder presset eller hele tiden kun kører langsomt, bør du nøjes med at blende 10 sekunder ad gangen eller reducere mængden af ingredienser. Du kan også tilføje mere væske for at løse op for meget faste blandinger.



## Pleje og rengøring

Af sikkerhedsmæssige årsager bør du altid tage stikket ud efter brug.

### Bægre og låg

For at holde dine bægre og låg rene må du aldrig lade madvarer og væsker tørre fast på dem. Følg disse trin hurtigst muligt efter brug:

- Skyl knivblade, bæger og låg.
- Vask i hånden i varmt sæbevand med en mild, flydende sæbe og en blød svamp.

### Motorbase

Motorbasen rengøres med en blød, fugtig klud og tørres grundigt. Tør eventuelle madrester af strømledningen.

### Rengøringsprodukter

Brug ikke svampe og rengøringsmidler, som kan ridse, hverken på motorbasen eller på bægerne. Brug kun varmt sæbevand og en blød klud.

## Overtryk

Bægrene kan rengøres ved at fylde koldt vand i og sætte knivbladmodulet på og enten blende eller ryste i hånden i 10 sekunder.

**VIGTIGT:** Der er risiko for overtryk, hvis du blender varmt vand og/eller rengøringsmidler.

Når du skylles ved sætte knivbladmodulet på bægere og blende/ryste, må du aldrig tilføje varmt eller lunkent vand, da den damp, der derved opstår, vil kunne resultere i et farligt overtryk.

Tilføj heller aldrig rengøringsmiddel, da det skum, der opstår, vil kunne skabe overtryk.

## Opvaskemaskine

Bægre, låg og knivbladmodul kan vaskes i opvaskemaskine, men kun på øverste hylde.

## Fastsiddende pletter og lugte

Kraftigt lugtende fødevarer som spidskommen og koriander og visse grøntsager som gulerødder kan efterlade en lugt eller resultere i pletter på knivblade, bæger eller låg.

Fjern pletter og lugte ved at fylde varmt sæbevand i op til MAX-linjen. Lad det ligge i blød i 5 minutter. Vask derefter med en mild sæbe og varmt vand, skyl grundigt og tør omhyggeligt. Opbevar bægrene uden låg.

## Citron

Hvis Tritan-bægrene udsættes for citronolie kan det påvirke klarheden og levetiden for bægerne. Når du har vasket dem i sæbevand, skal de skylles omhyggeligt med rent vand og med det samme tørres. Lad dem ikke ligge i blød, hvis du har blendet citron.

## Opbevaring

Opbevar blenderen i lodret position med bæger og knivbladmodul samlet og sat på motorbasen eller ved siden af.

Opbevar ikke blenderen med bægeret drejet til ON-positionen, da det betyder, at motoren er slået til og vil starte med det samme, når blenderen slutes til, eller der tændes for stikket på væggen.



## Fejlfinding

### Motor starter ikke, eller knivbladene drejer ikke rundt

- Kontrollér, at stikket er sat ordentligt i stikkontakten.
- Overbelastningssikringen kan have slået fra (se nedenfor).

### Blenderen stoppede pludselig, mens jeg brugte den

- Blenderen har en overbelastningssikring, der forhindrer skade på motoren. Denne sikring kan være blevet udløst. Tag stikket ud af stikkontakten, fjern bægeret, og lad motoren køle ned i 30 minutter. Når blenderen er kølet ned, kan du bruge den igen.
- Vi anbefaler, at du blender mindre portioner ad gangen eller skærer ingredienserne i mindre stykker. Se afsnittet "System til beskyttelse mod overbelastning" for yderligere oplysninger.

### Maden er klumpet eller ujævnt blendet

- Det kan ske, hvis der blendes for meget mad ad gangen. Prøv med en mindre mængde, eller blend mindre portioner ad flere omgange.
- Ingredienserne kan være for store. Prøv at skære dem i mindre stykker. Det bedste resultat opnås, hvis stykkerne ikke er større end 2 cm.

### Maden sidder fast på knivbladene og bægeret

- Blandingen kan være for tyk. Prøv at tilføje lidt mere væske og/eller bruge puls-effekt.



# Garanti

## 2 ÅRS BEGRÆNSET GARANTI

Sage Appliances giver garanti på dette produkt til hjemlig brug i de angivne områder i 2 år fra købsdato på fejl, der er begrundet med dårlig produktion og materialer. Under denne garantiperiode vil Sage Appliances reparere eller refundere alle defekte produkter (efter skøn fra Sage Appliances).

Alle juridiske garantirettigheder underlagt national lovgivning bliver respekteret og vil ikke blive svækket af vores garanti. Gå ind på [www.sageappliances.com](http://www.sageappliances.com) for at se de komplette vilkår og betingelser samt instruktioner om, hvordan man indgiver en skadesanmeldelse.



## Noter



## Innehåll

22	Sage® sätter alltid säkerheten först
26	Komponenter
27	Montering
28	Funktioner
28	Skötsel och rengöring
29	Felsökning
30	Garanti

## SAGE® SÄTTER ALLTID SÄKERHETEN FÖRST

På Sage® tar vi säkerheten på allvar. Vi designar och tillverkar produkter med din, vår kunds, säkerhet som högsta prioritet. Vi ber dig därutöver att vara försiktig när du använder elektrisk hushållsmaskiner och hålla dig till följande försiktighetsåtgärder.

## VIKTIGA SÄKERHETSÅTGÄRDER

### LÄS ALLA INSTRUKTIONER INNAN ANVÄNDNING OCH SPARA DEM FÖR FRAMTIDA BEHOV

- Det finns även en onlineversion av detta dokument att ladda ner från [sageappliances.com](http://sageappliances.com)
- Innan du använder apparaten för första gången, se till att elförsörjningen är densamma som visas på etiketten på apparatens undersida.
- Ta bort och kassera förpackningsmaterial på ett säkert sätt innan du använder apparaten för första gången.
- Släng transportskyddet som sitter på stickkontakten för att undvika kvävningrisk för små barn.
- Denna apparat är endast avsedd för hushållsbruk. Apparaten får inte användas för något annat ändamål än vad den är avsedd för. Använd inte i fordon eller båtar som rör sig. Använd inte apparaten utomhus. Felanvändning kan orsaka skada.
- Veckla alltid ut strömkabeln helt innan du använder den.
- Placera apparaten på en stabil, värmebeständig, jämn, torr yta en bit från kanten och använd den inte på eller nära en värmekälla, t.ex. en spisplatta, ugn eller gasspis.

**Att öppna en behållare i vilken det byggts upp tryck kan göra så att ingredienserna stänker eller orsaka brännskador om ingredienserna är heta. Följ alltid instruktionerna nedan för att minimera denna risk:**

- Mixa aldrig heta eller varma ingredienser. Sluta mixa om ingredienserna blir varma under mixningen.
- Mixa aldrig ingredienser i mer än 1 minut. Mixar du mer än 1 minut kan ingredienserna bli varma, och ångan kan göra så att det byggts upp tryck i behållaren.
- Försök aldrig att skruva loss knivbladen på flaskans botten när det byggts upp tryck i behållaren på grund av ånga. Låt behållaren svalna till rumstemperatur innan du försiktigt skruvar av knivbladen.
- Blanda aldrig kolsyrade vätskor, rengöringsmedel eller andra ingredienser som kan expandera eller bilda gas.
- Fyll aldrig behållaren över maxgränsmarkeringen.
- Om det börjar läcka under mixningen ska du genast sluta mixa och dra ut apparaten ur vägguttaget. Kontrollera att muggen inte är fylld över maxgränsen och att knivbladuppsättningens krage eller flaskan inte är skadad. Torka bort läckaget med en torr handduk och skruva i muggen ordentligt i mixningsmekanismen innan du fortsätter blanda.
- Vibrationer under användning kan få apparaten att röra på sig.
- Låt inte nätsladden hänga över en bords- eller bänkkant, vidröra heta ytor eller trassla sig.
- Kontrollera alltid att apparaten är avstängd, urkopplad ur eluttaget och har svalnat innan du rengör, försöker flytta eller ställa undan apparaten.
- Stäng alltid av apparaten till off-läget, stäng av strömmen och dra stickproppen ur eluttaget när apparaten inte används.
- Använd inte apparaten om nätsladden, nätkontakten eller apparaten skadas på något sätt. Om den skadas och annat underhåll än rengöring krävs, kontakta Sage kundservice eller besök [sageappliances.com](http://sageappliances.com)
- Allt annat underhåll än rengöring bör utföras av ett auktoriserat Sage®-servicecenter
- Låt inte barn leka med apparaten.
- Rengöring av apparaten ska inte utföras av barn såvida de inte är minst 8 år och under en vuxens uppsikt.
- Apparaten och sladden ska hållas utom räckhåll för barn under 8 år.
- Installation av en säkerhetsbrytare för restström rekommenderas för att tillhandahålla ytterligare säkerhet vid användning av alla elektriska apparater. Säkerhetsbrytare

med en nominell driftsström som inte överstiger 30 mA rekommenderas. Kontakta en elektriker för professionell rådgivning.

- Se alltid till att apparaten är ordentligt monterad före användning. Apparaten fungerar inte annars.
- Använd inte apparaten på diskbänken.
- Håll händer, fingrar, hår, kläder samt spatlar och andra redskap borta från rörliga eller roterande delar under användning.
- Apparaten får inte användas för något annat än tillredning av mat och dryck.
- För att undvika risken med att apparaten startar av sig själv på grund av oavsiktlig nollställning av överbelastningsskyddet, anslut aldrig mixern till en extern strömbrytare (såsom en timer) eller en strömkrets som kan slå på och stänga av apparaten med jämna mellanrum.
- Läs samtliga instruktioner innan du använder apparaten och spara dem för framtida behov.
- Apparaten kan användas av personer med nedsatt fysisk eller mental förmåga eller brist på erfarenhet och kunskap, om de övervakas eller fått instruktioner angående användning av apparaten på ett säkert sätt och förstår de faror som är förknippade med användningen.
- Apparaten får inte användas av barn.
- Lämna inte apparaten utan uppsikt när den är inkopplad.
- Låt motorn vila i 1 minut mellan varje användning.
- Lägg inte någon del av apparaten i en mikrovågsugn.
- Var försiktig när du handskas med och rengör knivbladen. De är väldigt vassa. Felhantering av knivbladen kan vålla skada.
- Sätt inte behållaren på motorbasen medan motorn snurrar.
- Använd inte mixern utan ingredienser i behållaren.
- Försök aldrig att använda apparaten med skadade knivblad, redskap eller andra främmande objekt inuti behållaren.
- Utsätt inte behållaren för extrem värme eller kyla. Lägg till exempel inte en kall mugg i varmt vatten eller tvärtom.
- Knivbladen måste sitta fast ordentligt i behållaren, så att ingredienserna inte läcker eller stänker.
- Försök aldrig använda knivbladsuppsättningen eller placera den på motorbasen utan behållaren på plats.



- Fyll aldrig muggen över maxgränsmarkeringen eftersom detta leder till att motorn anstränger sig på grund av tung belastning, vilket kan leda till läckage. Det försämrar dessutom mixningsprestandan. Tänk på att vissa blandningar ökar i volym under mixning.
- Med tung belastning avses blandningar som överstiger apparatens säkerhetsstandard (en 700-millilitersbehållare fylld till maxgränsmarkeringen, där blandningen består till 2 delar av blötlagd morot och 3 delar vatten). Blandningar som motsvarar eller överstiger denna belastning får inte mixas i mer än 10 sekunder åt gången. Inget av recepten som medföljer denna produkt överstiger denna belastning.
- Kross-/malningstillsatsen får bara användas med torra ingredienser.
- Hårda ingredienser som kassiabark, stjärnanis, hela kryddnejlikor och torkad majs får inte mixas, eftersom de kan skada knivbladen.



Denna symbol visar att apparaten inte bör kastas i hushållssoporna.

Apparaten ska lämnas på en återvinningscentral, eller till en återförsäljare som ger sådan service. För vidare upplysningar, kontakta din kommun.

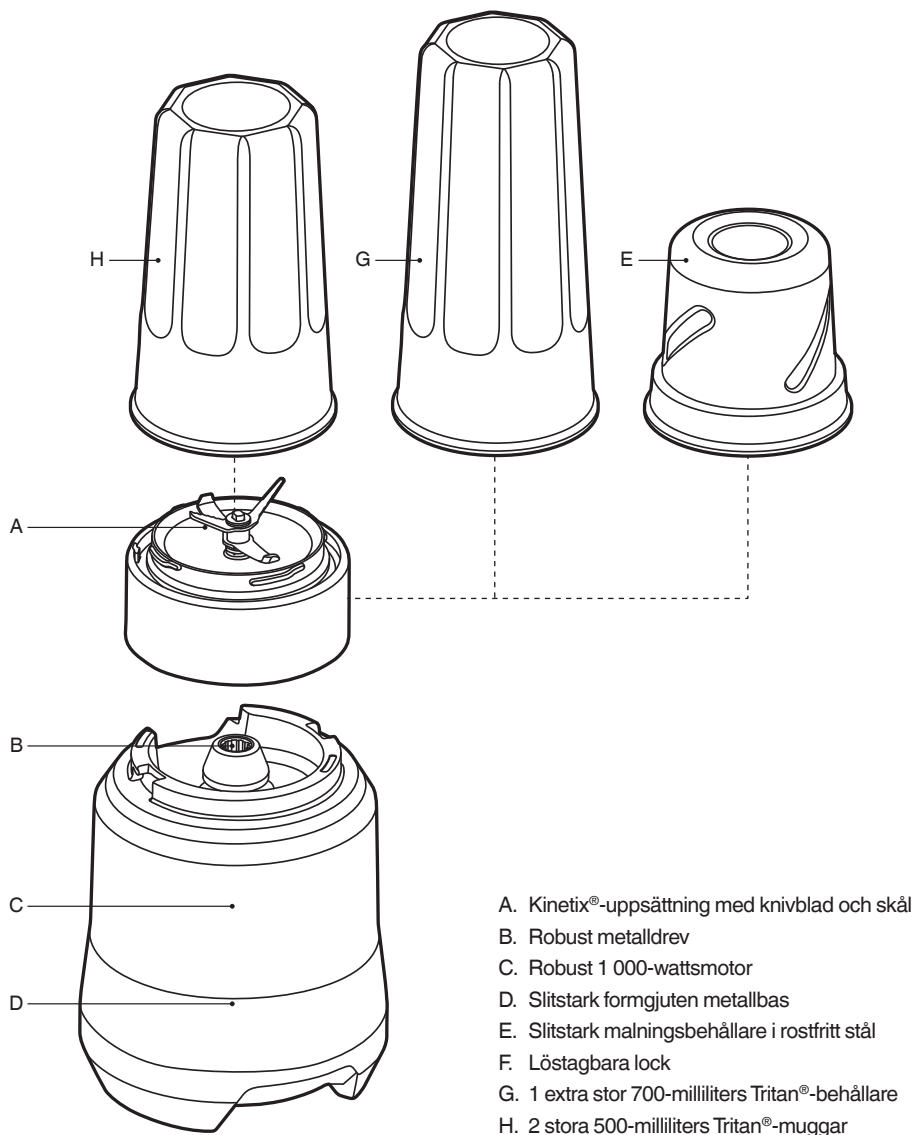


För att skydda mot elektriska stötar ska nätsladden, nätkontakten eller apparaten inte nedsänkas i vatten eller någon annan vätska.

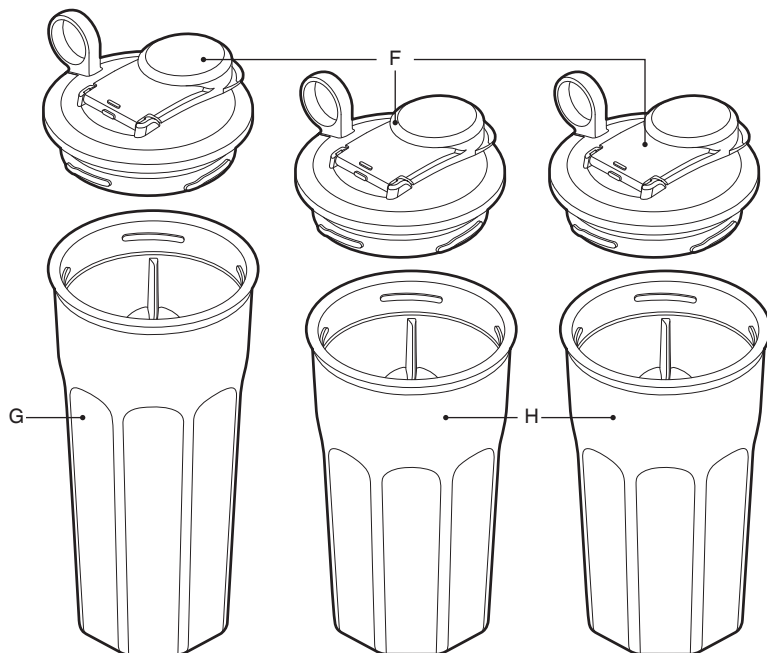
## SPARA DESSA INSTRUKTIONER



## Komponenter



**CE** Märkdata  
220–240 V ~50 Hz 1000 W



## EASTMAN TRITAN™-SAMPOLYESTER

- Behållarna är gjorda av Eastman Tritan™-sampilyster, som är ett slitstarkt BPA-fritt polymer som används vid tillverkning av hushållsprodukter som klarar hårdhänt behandling och upprepad maskindisk. Produkter gjorda av Tritan™ är stöt- och splittertåliga och håller sig klara och slitstarka även efter hundratalas omgångar i diskmaskinen.

## SAGE ASSIST™-KONTAKT

- Din Sage®-apparat kommer med en unik och bekvämt utformad Sage Assist™-kontakt, med ett fingerhåll som gör det lätt att dra ut den ur vägguttaget.



## Montering

### FÖRE FÖRSTA ANVÄNDNING

- Ta bort allt förpackningsmaterial och alla etiketter innan du använder mixern för första gången.
- Var försiktig när du handskas med knivbladen. De är extremt vassa.
- Tvätta muggarna, locken, knivbladsuppsättningen och tillsatserna i varmt vatten med lite diskmedel och en mjuk trasa. Skölj och torka noggrant. Alla delar (förutom motorbasen) kan diskas i maskin, i överkorgen.
- Du kanske känner en viss doft från motorn första gången du använder mixern. Detta är normalt och försvinner vid fortsatt användning.

### MONTERING

1. Ta bort knivbladen och ställ ner behållaren med öppningen uppåt.
2. Lägg i ingredienserna och se till att inte överstiga maxgränsmarkeringen.
3. Sätt knivbladsuppsättningen på plats med ett kvarts varvs vridning medsols. Se till att knivbladsuppsättningens krage verkligen sitter på plats innan du vänder upp och ner på muggen för att mixa.



## Funktioner

### ANVÄNDA MIXERN

- Mixern fungerar bara om knivbladen och behållaren är rätt monterade. Det tar bort säkerhetsspärren, så att motorn kan starta.
- När behållaren och knivbladen är rätt monterade med ingredienserna ilagda vänder du upp och ner på behållaren och placerar den på motorbasen så att markeringarna är i linje med varandra.
- För att mixa håller du behållaruppsättningen stadigt och vrider medsols på basen till ON-läget.
- När du nått önskad konsistens vrider du behållaren motsols för att stänga av motorn.
- Mixa inte kontinuerligt i mer än 60 sekunder åt gången. Låt motorn vila i 2 minuter innan du fortsätter.
- Mal inte kontinuerligt i mer än 30 sekunder åt gången. Låt motorn vila och malningstillsatsen i metall svalna i 30 sekunder innan du fortsätter.
- Du kan mixa ingredienserna genom att vrida på behållaren stötvis. Detta slår på och stänger av motorn.
- När du är klar med mixningen, vänta i några sekunder tills knivbladen slutat snurra innan du lyfter av behållaruppsättningen från motorbasen.
- Vänd behållaren upp och ner och låt ingredienserna rinna av knivbladen i några sekunder. Skruva sedan av knivbladen. Håll i knivbladskragen och vrid motsols för att avlägsna den.
- Av säkerhetsskäl ska du stänga av strömmen och koppla ur apparaten när du mixat färdigt.
- Malningstillsatsen fungerar på ungefär samma sätt som behållarna. Sätt knivbladen på plats på samma sätt och mixa antingen stötvis eller kontinuerligt enligt beskrivningen ovan.
- Malningsbehållaren är i rostfritt stål och kan bli för varm för att vidröra om du maler i längre än 30 sekunder. Håll i plastkragen när du tar bort behållaren från basen.

### ÖVERBELASTNINGSSKYDD

- Mixern har ett internt självnollställande överbelastningsskydd för att skydda motorn från skada under tung eller kontinuerlig belastning. Om mixern plötsligt stannar under användning kan skyddet ha utlöst.
- Avlägsna behållaren, koppla ur apparaten och låt den svalna i minst 30 minuter. Sätt inte tillbaka behållaruppsättningen när mixern svalnar eftersom skyddet kan nollställas och få apparaten att starta oväntat.
- Utlösning av skyddet betyder att mixern är för tungt belastad eller har använts för länge kontinuerligt. Minska mängden ingredienser eller vänta längre mellan varje mixning för att förhindra att det händer igen. Detta gör också att motorn håller längre.
- Maxgränsmarkeringen är vanligtvis ett bra sätt att veta hurvida mixern är överbelastad eller inte men särskilt kompakta ingredienskombinationer kan anstränga motorn ändå. Om motorn verkar ansträngd eller långsam, mixa bara i 10 sekunder åt gången eller minska mängden ingredienser. Du kan även tillsätta mer vätska för att göra blandningen mindre kompakt.



### Skötsel och rengöring

Av säkerhetsskäl ska du dra ut nätsladden ur vägguttaget efter användning.

#### Behållare och lock

För att hålla behållarna och locken rena är det viktigt att du inte låter matrester stelna på och i dem. Följ dessa steg så snart som möjligt efter användning:

- Rensa bort det mesta av resterna från knivbladen, behållaren och locket.
- Diska för hand i varmt vatten med mildt diskmedel och en icke-slipande disksvamp.

#### Motorbas

Rengör motorbasen med en mjuk, fuktig trasa och låt den sedan torka ordentligt. Torka bort eventuella matrester från nätsladden.

#### Rengöringsmedel

Använd inte stålull eller slipande rengöringsmedel på vare sig motorbasen eller behållarna. Det kan rispa ytan. Använd bara varmt vatten med diskmedel och en mjuk trasa.

## Tryck i behållaren

Du kan skölja behållarna genom att hålla i kallt vatten, sätta knivbladen på plats och antingen mixa eller skaka för hand i 10 sekunder.

**VIKTIGT:** Det kan byggas upp tryck i behållaren på grund av varmt vatten och/eller rengöringsmedel.

När du satt knivbladen på plats och sköljer genom att mixa eller skaka får du aldrig hålla i hett eller ens varmt vatten, eftersom ångan som bildas kan göra att det byggs upp farligt tryck i behållaren.

Tillsätt inte rengöringsmedel. Skummet som bildas expanderar och kan göra att det byggs upp tryck i behållaren.

## Diskmaskin

Behållarna, locken och knivbladsuppsättningen kan diskas i maskin, men bara i överkorgen.

## Bestående matfläckar och dofter

Ingredienser med starka dofter, som kummin och koriander, kan lämna efter sig en doft på knivbladen, behållaren och locket. Vissa grönsaker, som morötter, kan färga av sig.

För att få bort detta håller du i varmt vatten med lite diskmedel till maxgränsmarkeringen. Låt stå i blöt i 5 minuter. Diska därefter med mildt diskmedel och varmvatten. Skölj och torka noggrant. Förvara behållarna med locken av.

## Citrus

Tritan-behållarnas klarhet och livslängd kan påverkas om de utsätts för citrusolja. Diska med diskmedel, skölj noggrant med vanligt vatten och låt torka direkt. Blötlägg inte om citrus har mixats.

## Förvaring

Förvara upprätt med behållare och knivblad hopmonterade och stående ovanpå motorbasen eller bredvid.

Förvara inte med behållaren vriden till ON-läget, eftersom det betyder att motorn är aktiverad och startar direkt när mixern ansluts till eller slås på vid ett vägguttag.



## Felsökning

### Motorn startar inte/knivbladen roterar inte

- Kontrollera att nätkontakten är korrekt ansluten till vägguttaget.
- Överbelastningsskyddet kan ha utlösts (se nedan).

### Mixern stannade plötsligt under användning

- Apparaten har ett överbelastningsskydd som förhindrar att motorn skadas. Det kan ha utlösts. Dra ut sladden, ta bort behållaren och låt motorn svalna i 30 minuter. När den svalnat kan du använda apparaten som vanligt igen.
- Vi rekommenderar att du mixar mindre mängder eller skär ingredienserna i mindre bitar. Se sektionen Överbelastningsskydd för detaljerad information.

### Maten har klumpar i sig eller är ojämnt mixad

- Detta kan hända när du mixar för mycket mat på samma gång. Försök med en mindre mängd och dela upp i flera omgångar om nödvändigt.
- Ingredienserna kan vara för stora. Försök skära dem i mindre bitar. För bästa resultat bör ingredienserna inte vara större än 2 cm per bit.

### Maten fastnar på knivbladen och behållaren

- Blandningen kan vara för tjock. Prova att tillsätta mer vätska och/eller mixa stötvis.



## Garanti

### **2 ÅRS BEGRÄNSAD GARANTI**

Sage Appliances garanterar denna produkt för hushållsbruk i specificerade områden i 2 år från inköpsdatum mot fel som orsakats av bristande utförande och material. Under denna garantitid kommer Sage Appliances att reparera, ersätta eller återbetala defekta produkter (enligt Sage Appliances eget gottfinnande).

Alla juridiska garantier enligt gällande nationell lagstiftning respekteras och kommer inte att försämrats av vår garanti. För fullständiga villkor i garantin samt anvisningar om hur man framställer ett krav, se [www.sageappliances.com](http://www.sageappliances.com).



# Anteckningar



## Innhold

32 Sage® setter sikkerheten først  
36 Komponenter  
37 Montering  
38 Funksjoner  
38 Vedlikehold og rengjøring  
39 Feilsøking  
40 Garanti

## SAGE® SETTER SIKKERHETEN FØRST

Hos Sage® er vi veldig opptatt av sikkerhet. Vi utvikler og produserer maskiner med kundens sikkerhet som førsteprioritet. Vi ber deg om å være forsiktig når du bruker elektriske apparater, og overholde følgende forholdsregler.

## VIKTIGE SIKKERHETS-ANVISNINGER

**LES ALLE INSTRUKSJONER FØR BRUK, OG TA VARE PÅ DISSE TIL FREMTIDIG BRUK**

- Du kan også laste ned en versjon av dette dokumentet på [sageappliances.com](http://sageappliances.com).

- Før du bruker apparatet for første gang må du kontrollere at strømtilførselen er den samme som vist på etiketten på undersiden av apparatet.
- Fjern og avhend all emballasje på sikkert vis før førstegangsbruk.
- For å unngå kvelningsfare for små barn avhender du beskyttelsesdekslet på stikkontakten på en sikker måte.
- Dette apparatet er kun til husholdningsbruk. Ikke bruk apparatet til noe annet enn dets tiltenkte formål. Må ikke brukes i kjøretøy eller båter som er i bevegelse. Må ikke brukes utendørs. Feil bruk kan føre til personskader.
- Strømledningen må vikles helt ut før bruk.
- Sett apparatet på en stabil, varmebestandig, flat og tørr overflate i god avstand fra kanten, og ikke bruk det på eller nær varmekilder som for eksempel en varm plate, ovn, eller gasskomfyr.

**Dersom en kopp åpnes mens den er under trykk, kan ingrediensene sprute ut og forårsake brannskader/skålding hvis innholdet er varmt.**

**For å unngå dette må du alltid følge anvisningene nedenfor:**

- Miks aldri varme ingredienser. Stopp miksingens dersom innholdet blir varmt under prosessen.



- Miks aldri ingrediensene i mer enn ett minutt. Miksing i mer enn ett minutt kan føre til at ingrediensene blir varme, og dampdannelse kan skape trykk i koppen.
- Forsøk aldri å skru løs knivbladet fra bunnen av koppen når det er trykk i koppen som følge av dampdannelse. La koppen avkjøles til romtemperatur før du forsiktig skrur løs knivbladet.
- Miks aldri kullsyreholdig væske, rengjøringsmidler eller andre ingredienser som kan utvide seg eller danne gass.
- Fyll aldri koppen over den angitte maksimumskapasiteten.
- Hvis det oppstår lekkasje under miksing, må du umiddelbart avbryte prosessen og koble fra strømmen til apparatet. Kontroller at koppen ikke er fylt over maksimumsnivået, og at ikke forseglingen eller koppen er skadet. Tørk opp lekkasjen med et tørt håndkle, og skru koppen godt fast til blendermekanismen før du fortsetter miksing.
- Vibrasjoner under bruk kan føre til at apparatet beveger seg.
- Ikke la strømledningen henge over kanten på benken eller bordet.
- Sørg alltid for at apparatet er slått AV, koblet fra stikkkontakten og avkjølt før forsøk på rengjøring, flytting, eller oppbevaring.
- Sett alltid apparatet i AV-posisjonen, og trekk ut støpselet av stikkkontakten når apparatet ikke er i bruk.
- Du må ikke bruke apparatet hvis strømledningen, støpselet eller apparatet er skadet på noen måte. Hvis apparatet er skadet eller trenger vedlikehold, foruten rengjøring, må du kontakte Sages kundeservice eller gå til [sageappliances.com](http://sageappliances.com).
- Alt vedlikehold, bortsett fra rengjøring, bør utføres av et autorisert Sage® servicesenter.
- Barn må ikke leke med apparatet.
- Rengjøring av apparatet bør ikke utføres av barn, med mindre de er 8 år eller eldre og under tilsyn av voksne.
- Apparatet og strømledningen bør oppbevares utilgjengelig for barn under 8 år.
- Installasjon av en jordfeilbryter anbefales for å gi ekstra sikkerhet ved bruk av alle elektriske apparater. Jordfeilbrytere med en nominell driftsstrøm på maks 30 mA anbefales. Kontakt en elektriker for å få profesjonelle råd.
- Sørg alltid for at apparatet er riktig montert før bruk. Apparatet fungerer ikke hvis det ikke er riktig montert.
- Apparatet må ikke brukes på oppvaskkummens dryppeflate.

- Hold hender, fingre, hår, klær og kjøkkenredskaper unna apparatets bevegelige og roterende deler under bruk.
- Ikke bruk apparatet til noe annet enn tilbereding av mat og/eller drikke.
- For å unngå muligheten for at apparatet starter opp på egen hånd som følge av at overbelastningsvernet tilbakekobles ved et uhell, skal ikke apparatet kobles til en ekstern bryter (som f.eks. en timer) eller til en krets som kan slå apparatet av og på regelmessig.
- Les alle instruksjoner før bruk, og ta vare på disse til fremtidig bruk.
- Apparatet kan kun brukes av personer med nedsatte fysiske eller mentale evner eller personer med manglende erfaring og kunnskaper, hvis de har fått veiledning eller instruksjoner om bruk av apparatet på en trygg måte og forstår de farene som er involvert.
- Dette apparatet skal ikke brukes av barn.
- Ikke la apparatet være uten tilsyn når det er i bruk.
- La motoren hvile i ett minutt mellom hver bruk.
- Ikke sett noen deler av apparatet i mikrobølgeovn.
- Vær forsiktig når du håndterer og rengjør knivbladene – de er veldig skarpe. Feil håndtering av knivbladene kan føre til personskader.
- Ikke plasser koppen på motorbasen mens motoren er i drift.
- Ikke bruk apparatet uten at det er ingredienser i koppen.
- Du må aldri bruke apparatet med skadde knivblader eller med kjøkkenredskaper eller andre fremmedlegemer i koppen.
- Ikke utsett koppen for ekstreme varme- eller kuldebelastninger, for eksempel ved å plassere en kald kopp i varmt vann eller motsatt.
- Knivbladene må sitte skikkelig i koppen før bruk for å unngå at innholdet lekker eller spruter ut.
- Du må aldri bruke eller plassere knivbladenheten på motorbasen uten at koppen er på plass.
- Ikke fyll koppen forbi MAX-merket. Dette kan føre til overbelastning av motoren og mulighet for lekkasje. Det vil også redusere ytelsen. Husk at noen blandinger øker i volum under miksing.

- Med tung last menes blandinger som overgår apparatets sikkerhetsstandard (en 700 ml kopp fylt til maksimumsmerket med en blanding av to deler bløtlagte, oppskårne gulrøtter og tre deler vann). Blandinger som tilsvare eller overgår denne lasten, skal ikke mikses i mer enn ti sekunder av gangen. Merk: Ingen av oppskriftene som følger med dette produktet, anses som tyngre enn denne lasten.
- Kverne-/maletilbehøret skal bare brukes med tørre ingredienser.
- Harde ingredienser som kassiabark, stjerneanis, hele kryddernelliker eller tørket mais skal ikke mikses fordi det kan skade knivbladene.



Det viste symbolet indikerer at dette apparatet ikke bør kasseres i normalt husholdningsavfall. Det bør tas til et lokalt offentlig avfallsmottak som er tiltenkt dette formålet, eller til en forhandler som tilbyr denne tjenesten. Kontakt lokale myndigheter for mer informasjon.

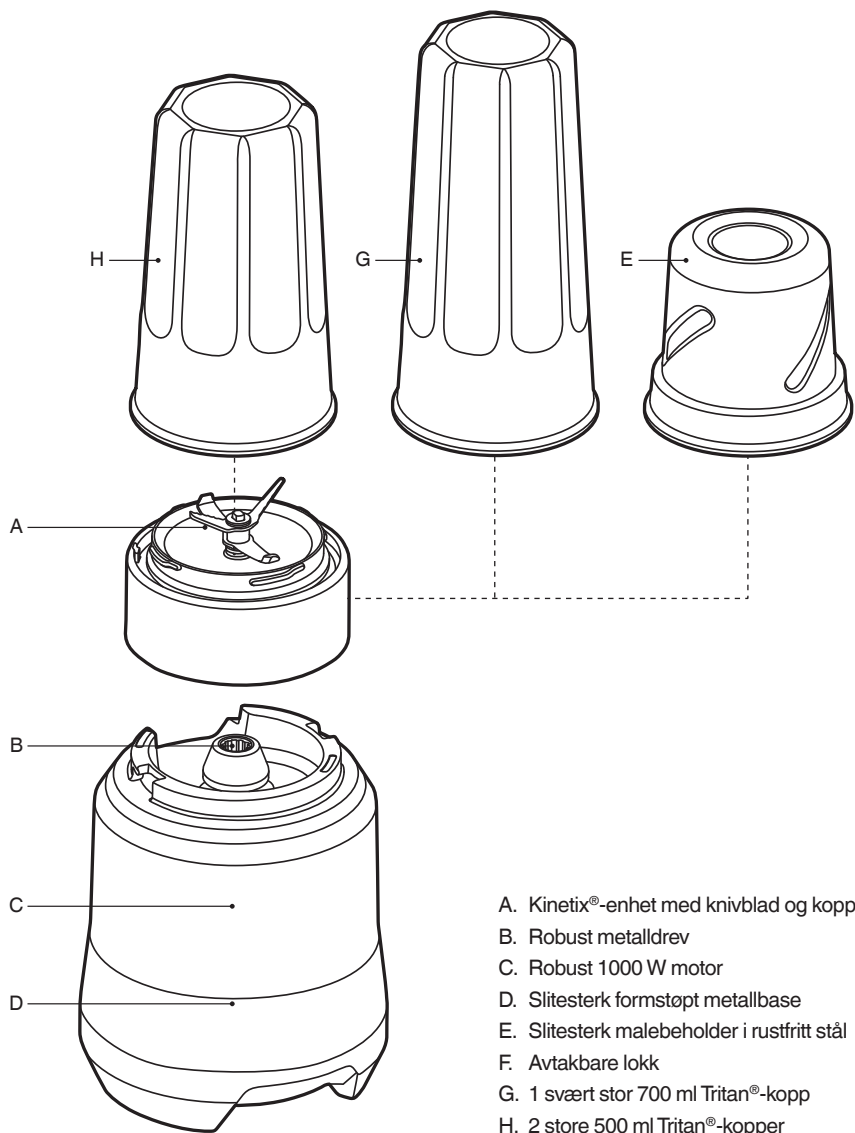


For å unngå elektrisk støt må du ikke senke støpsetet, ledningen eller apparatet i vann eller annen væske.

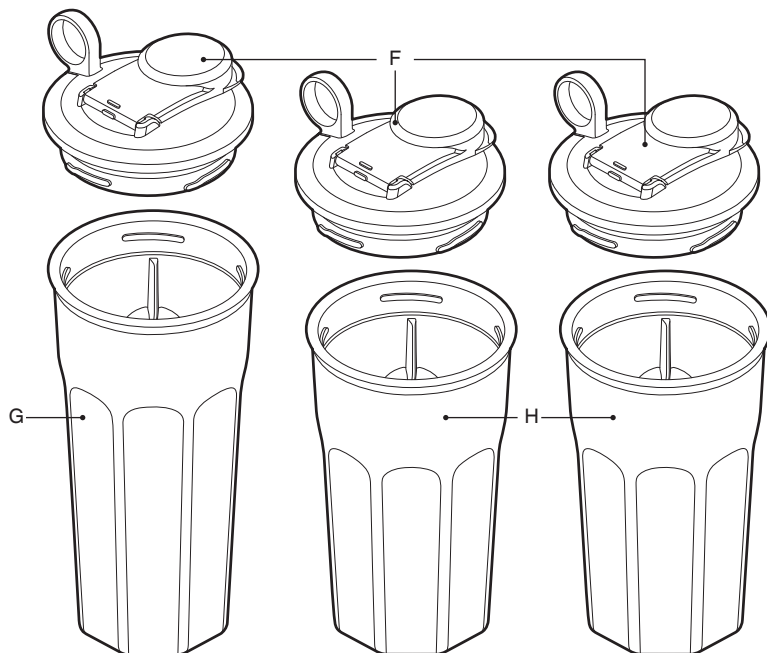
## TA VARE PÅ DISSE INSTRUKSJONENE



## Komponenter



**CE** Merkedata  
220–240 V ~50 Hz 1000 W



## EASTMAN TRITAN™-KOPOLYESTER

- Koppene er laget av Eastman Tritan™-kopolyester, det vil si et slitesterkt, BPA-fritt polymer som brukes til produksjon av husholdningsprodukter og tåler hardhendt behandling og gjentatt vask i oppvaskmaskin. Produkter som er laget av Tritan™, er støt- og knusesikre og holder seg klare og slitesterke selv etter flere hundre runder i oppvaskmaskinen.

## SAGE ASSIST™-STØPSEL

- Dette Sage®-apparatet leveres med et unikt Sage Assist™-støpsel som har et praktisk utformet fingerhull for å gjøre det enklere å trekke det ut av stikkontakten.



## Montering

### FØR FØRSTEGANGSBRUK

- Fjern all emballasje og alle etiketter før du tar i bruk blenderen for første gang.
- Vær forsiktig når du håndterer knivbladene – de er veldig skarpe.
- Vask koppene, lokkene, knivbladenheten og tilbehøret i varmt såpevann med en myk klut. Skyll og tørk grundig. Alle delene (unntatt motorbasen) kan vaskes i oppvaskmaskin, på øverste hylle.

- Den første gangen du bruker blenderen, kan det hende du merker en spesiell lukt fra motoren. Dette er normalt. Lukten vil forsvinne etter hvert.

### MONTERING

1. Ta av knivbladene og plasser koppen med åpningen opp.
2. Ha i ingrediensene, men ikke fyll koppen over MAX-streken.
3. Monter knivbladenheten ved å dreie den en kvart omdreining med klokken. Sørg for at mansjetten på knivbladenheten sitter skikkelig før du vender koppen opp ned for miksing.



## Funksjoner

### BRUK

- Blenderen fungerer bare når knivbladene og koppen er riktig montert. Da kobles sikkerhetsmekanismen inn, og motoren aktiveres.
- Når koppen og knivbladenheten er riktig montert og fylt med ingredienser, snur du koppen og setter på motorbasen i henhold til markeringene.
- For å mikse holder du koppen godt fast og dreier basen med klokken til den er i PÅ-posisjon.
- Når du får ønsket konsistens, dreier du koppen mot klokken for å løsne den og slå av motoren.
- Ikke miks i mer enn 60 sekunder av gangen. La motoren hvile i to minutter før du fortsetter.
- Ikke mal/kvern i mer enn 30 sekunder av gangen. La motoren hvile og metallkvernen avkjøles i 30 sekunder før du fortsetter.
- Ingrediensene kan blandes trinnvis ved at du dreier på koppen, slik at motoren slås av og på.
- Når du er ferdig å mikse, venter du noen sekunder til knivbladene har sluttet å bevege seg før du løfter koppen av motorbasen.
- Snu koppen og la innholdet renne av knivbladene i noen sekunder før du skruer dem av. Ta tak i knivbladmansjetten og dreier mot klokken for å koble fra knivbladenheten.
- For sikkerhets skyld bør du slå av motorbasen og koble fra støpselet når du er ferdig å mikse.
- Kvernetilbehøret fungerer på lignende måte som koppene. Du fester knivbladene på samme måte og mikser enten med trinnvis eller kontinuerlig miksing, som beskrevet over.
- Overflatene på beholderen av rustfritt stål kan bli veldig varme hvis du kverner i mer enn 30 sekunder. Hold tak i plastmansjetten når du skal koble den fra basen.

### OVERBELASTNINGSVERN

- Blenderen er utstyrt med et internt overbelastningsvern som tilbakestilles automatisk for å beskytte motoren når den kjøres med tung eller kontinuerlig last. Hvis blenderen plutselig stopper under bruk, kan det være fordi overbelastningsvernet er koblet inn.
- Ta av koppen, koble fra blenderen og la den avkjøles i 30 minutter. Ikke sett på koppen under avkjølingen fordi det kan føre til at blenderen starter utilsiktet.
- Hvis overbelastningsvernet kobles inn, tyder det på at blenderen er for tungt belastet eller er brukt for lenge av gangen. Reduser mengden

ingredienser eller ta lenger pauser i miksing for å unngå at dette skjer igjen. Da vil også motoren vare lenger.

- MAX-streken er som regel en god indikator for hvilken last blenderen tåler, men enkelte spesielt tettepakke kombinasjoner av ingredienser kan overbelaste motoren selv om du holder deg under denne linjen. Hvis motoren ser ut til å være overbelastet eller går sakte, bør du kjøre den i bare ti sekunder av gangen eller redusere mengden av ingredienser. Det kan også hjelpe å tilsette mer væske.



## Vedlikehold og rengjøring

Av sikkerhetsmessige årsaker bør du dra ut støpselet etter bruk.

### Kopper og lokk

For å holde koppene og lokkene rene bør du unngå at matrester størkner på dem. Følg disse trinnene rett etter bruk:

- Skyll av det meste av restene fra knivbladene, koppen og lokket.
- Vask for hånd i varmt såpevann med et mildt oppvaskmiddel og ikke-slipende oppvaskbørste.

### Motorbase

Rengjør motorbasen med en myk, fuktet klut, og tørk den deretter grundig. Tørk av matrester fra strømledningen.

### Rengjøringsmidler

Ikke bruk metallskrubber eller slipende rengjøringsmidler på verken motorbasen eller koppene ettersom det kan føre til riper. Bruk bare varmt såpevann og en myk klut.

### Trykk

Koppene kan skylles ved å ha kaldt vann i dem, koble til knivbladene og deretter enten mikse eller riste dem for hånd i ti sekunder.

**VIKTIG:** Det er fare for at varmt vann og/eller rengjøringsmiddel danner trykk.

Når du skyller ved å koble til knivbladene for å mikse/riste koppen, må du aldri bruke varmt eller lunkent vann, ettersom dampen som dannes, kan danne farlig trykk.

Bruk heller ikke rengjøringsmiddel eller såpe, ettersom skummet også kan danne trykk.

## Oppvaskmaskin

Koppene, lokkene og knivbladenheten kan vaskes på øverste hylle av oppvaskmaskinen.

## Vanskelige matflekker og lukt

Ingredienser med kraftig lukt, slik som spis-skummen, koriander og visse grønnsaker som gulrøtter, kan sette lukt eller flekker på knivbladene, koppen eller lokket.

For å fjerne dette kan du helle på varmt såpevann til MAX-merket. La dette stå i 5 minutter. Deretter vasker du med varmt vann og et mildt vaskemiddel. Skyll og tørk godt etterpå. Oppbevar koppene med lokkene av.

## Sitrus

Hvis Tritan-koppene utsettes for sitrusolje, kan det gå ut over koppenes klarhet og levetid. Vask med vaskemiddel, skyll grundig med rent vann og la koppene tørke umiddelbart. Ikke legg dem i bløtt dersom du har mikset sitrusfrukter.

## Oppbevaring

Blenderen skal oppbevares i stående posisjon med koppene og knivbladene montert. Den skal stå på eller ved siden av motorbasen. Ikke oppbevar blenderen med koppen i PÅ-posisjon fordi det innebærer at motoren er aktivert. Den slås på med en gang du setter støpselet i stikkkontakten.



## Feilsøking

### Motoren starter ikke, eller knivbladet går ikke rundt

- Kontroller at støpselet er satt ordentlig inn i stikkkontakten.
- Overbelastningsvernet kan ha koblet inn (se under).

### Blenderen stoppet plutselig under bruk

- Dette apparatet har et overbelastningsvern for å hindre skade på motoren. Det kan hende dette har koblet inn. Koble fra blenderen, ta av koppen og la motoren avkjøles i 30 minutter. Når den er avkjølt, kan du bruke den som vanlig igjen.
- Vi anbefaler at du mikser mindre porsjoner eller deler ingrediensene i mindre biter. Se avsnittet "Overbelastningsvern" for mer informasjon.

### Maten er klumpete eller ujevnt mikset

- Dette kan skje når du mikser for mye mat av gangen. Prøv med mindre mengder, del opp i flere porsjoner om nødvendig.
- Ingrediensene kan være for store. Prøv å dele dem i mindre biter. For best mulig resultat bør ingrediensene ikke være større enn 2 cm.

### Maten fester seg til knivbladet og koppen

- Blandingene kan være for tykk. Prøv å tilsett mer væske og/eller kjøle blenderen trinnvis.



# Garanti

## 2 ÅRS BEGRENSET GARANTI

Sage Appliances garanterer dette produktet for husholdningsbruk i bestemte regioner og områder i 2 år fra kjøpsdatoen, mot feil som skyldes feil i utførelse og materialer. Under denne garantiperioden skal Sage Appliances reparere, erstatte eller refundere eventuelle defekte produkter (etter Sage Appliances eget skjønn).

Alle juridiske garantirettigheter i henhold til gjeldende nasjonal lovgivning skal respekteres, og skal ikke svekkes ikke av garantien vår.

Hvis du vil se de fullstendige betingelsene for garantien, samt instruksjoner om hvordan du starter en kravprosedyre, gå til kan du besøke [www.sageappliances.com](http://www.sageappliances.com).





# Merknader



## Sisältö

42 Sage® suosittelee: turvallisuus ensin  
46 Osat  
47 Kokoonpano  
48 Toiminnot  
48 Hoito & puhdistus  
49 Ongelmatilanteet  
50 Takuu

## SAGE® SUOSITTELEE: TURVALLISUUS ENSIN

**Me Sage®lla otamme turvallisuuden erittäin vakavasti. Suunnittelemme ja valmistamme laitteemme ajatellen ensisijaisesti asiakkaidemme turvallisuutta. Pyydämme myös, että käytät sähkölaitteita varoen ja noudatat seuraavia varotoimenpiteitä.**

## TÄRKEÄT VARO- TOIMENPITEET

**LUE KAIKKI OHJEET ENNEN KÄYTTÖÄ JA SÄÄSTÄ NE MYÖHEMPÄÄ TARVETTA VARTEN**

- Tämän asiakirjan ladattava versio on saatavilla osoitteessa [sageappliances.com](http://sageappliances.com)
- Varmista ennen ensimmäistä käyttöä, että käyttämäsi sähkövirta vastaa laitteen pohjaan merkittyjä luokitustietoja.
- Poista ja hävitä kaikki pakkausmateriaalit turvallisesti ennen ensimmäistä käyttöä.
- Hävitä pistokkeen suojus turvallisesti pienten lasten tukehtumisvaaran välttämiseksi.
- Laite on tarkoitettu ainoastaan kotikäyttöön. Älä käytä laitetta muuhun kuin sen oletettuun käyttötarkoitukseen. Älä käytä liikkuvissa kulkuvälineissä tai veneissä. Älä käytä ulkona. Väärinkäyttö voi aiheuttaa vahinkoja.
- Kelaat virtajohto kokonaan auki ennen käyttöä.
- Aseta laite vakaalle, lämpöä kestäväälle, tasaiselle ja kuivalle tasolle tarpeeksi kauas sen reunasta. Älä käytä laitetta lieden tai uunin kaltaisten lämmönlähteiden päällä tai lähistöllä.

**Paineistetun astian avaaminen voi johtaa sisällön roiskumiseen tai aiheuttaa palovammoja, jos sisältö on kuumaa. Minimoi riski noudattamalla seuraavia ohjeita:**

- Älä sekoita kuumia tai lämpimiä aineksia. Lopeta sekoitus, jos ainekset kuumenevat sekoitettaessa.
- Älä koskaan sekoita aineksia minuuttia kauemmin. Yli minuutin kestänyt sekoitus voi kuumentaa aineksia, ja höyry voi synnyttää astian sisälle painetta.
- Älä koskaan yritä irrottaa terää astian alaosasta, jos astiaan on muodostunut painetta höyryn takia. Anna astian jäähtyä huoneenlämpöiseksi ja irrota terä sitten varovasti.
- Älä sekoita hiilihapotettua nestettä, pesuainetta tai aineita, jotka voivat laajentua tai synnyttää kaasua.
- Älä koskaan täytä astiaa yläräjämerkin yli.
- Jos sekoituksen aikana näkyy vuotoa, lopeta sekoitus heti ja irrota pistoke pistorasiasta. Tarkista, ettei astiaa ole täytetty yläräjän yli ja ettei tiiviste tai astia ole vaurioitunut. Pyyhi vuotaneet ainekset märällä liinalla ja kiinnitä astia hyvin sekoitinmekanismiin ennen kuin jatkat sekoittamista.
- Käytön aikana laite voi liikkua tärinän seurauksena.
- Älä anna virtajohdon riippua työtason tai pöydän reunan yli, koskea kuumiin pintoihin tai mennä solmuun.
- Varmista aina, että laite on POIS päältä, irrotettu pistorasiasta ja saanut jäähtyä ennen kuin puhdistat tai yrität siirtää laitteen tai kun laitat sen säilöön.
- Katkaise aina virta laitteesta ja irrota virtajohto pistorasiasta, kun laite ei ole käytössä.
- Älä käytä laitetta, jos virtajohto, pistoke tai laite vaurioituu jollain tavoin. Jos laite vaurioituu tai vaatii huoltoa, ota yhteys Sagen asiakaspalveluun tai mene osoitteeseen [sageappliances.com](http://sageappliances.com)
- Puhdistusta lukuun ottamatta laitteen huolto tulee aina hoitaa Sage®-valtuutetussa huoltoliikkeessä
- Lapset eivät saa leikkiä laitteella.
- Lapset eivät saa puhdistaa laitetta, elleivät he ole yli 8-vuotiaita ja valvonnassa.
- Pidä laite ja sen johto alle 8-vuotiaiden lasten ulottumattomissa.
- Jäännösvirtasuojakytkimen asennus on suositeltavaa, sillä se antaa lisäsuojaa aina sähkölaitteita käytettäessä.

Suosittellemme käyttämään suojakykimiä, joiden nimellisvirta on enintään 30mA. Ota yhteyttä sähköasentajaan, jos tarvitset neuvoa ammattilaiselta.

- Varmista ennen käyttöä, että laite on koottu oikein. Laite ei toimi, jos se on koottu väärin.
- Älä käytä laitetta tiskipöydän kuivaustasolla.
- Pidä kädet, sormet, hiukset, keittiövälineet jne. kaukana liikkuvista osista käytön aikana.
- Älä käytä laitetta muuhun kuin ruoan/juoman valmistukseen.
- Jotta laite ei käynnisty itseksensä ylikuormitussuojan uudelleenkäynnistymisen seurauksena, älä kiinnitä laitetta ulkoiseen kytkimeen (esim. ajastimeen) tai piiriin, jossa laite voi käynnistyä tai sammua itseksensä.
- Lue kaikki ohjeet ennen käyttöä ja säästä ne myöhempää tarvetta varten.
- Henkilöt, joiden fyysinen tai henkinen toimintakyky on alentunut tai joiden kokemus ja tiedot ovat puutteelliset, voivat käyttää laitetta ainoastaan valvottuna tai jos heitä on opastettu laitteen turvallisessa käytössä ja jos he ymmärtävät käyttöön liittyvät riskit.
- Lapset eivät saa käyttää laitetta.

- Älä jätä laitetta vahtimatta käytön aikana.
- Anna moottorin jäähtyä minuutin ajan käyttökertojen välissä.
- Älä laita mitään laitteen osaa mikroaaltouuniin.
- Ole varovainen, kun käsittelet tai puhdistat teriä. Ne ovat teräviä. Huolimaton käsittely voi aiheuttaa henkilövahingon.
- Älä aseta astiaa tai kannua moottorin päälle, kun moottori vielä pyörii.
- Älä käytä, jos astia tai kannu on tyhjä.
- Älä käytä laitetta, jos terät ovat vaurioituneet tai astiassa/kannussa on vieraita esineitä.
- Älä altista astiaa/kannua ääriämpötiloille, esimerkiksi laskemalla kylmää astiaa kuumaan veteen.
- Kiinnitä terät huolellisesti astiaan ennen käyttöä, etteivät ainekset roisku ulos.
- Älä koskaan käytä tai kiinnitä teriä moottorirunkoon ilman, että astia on paikallaan.
- Älä täytä astiaa ylärajamerkin yli, sillä raskas kuorma rasittaa moottoria ja saattaa aiheuttaa vuotoa. Se myös heikentää sekoitustehoa. Huomioithan, että joidenkin seosten tilavuus kasvaa sekoituksen aikana.

- Ylikuormitus on määritelty laitteen turvallisuusstandardin mukaisen kuormituksen mukaan (700 ml astia ylärajamerkintään asti täytettynä seoksella, jossa on kaksi osaa pilkottua porkkanaa ja kolme osaa vettä). Vastaavaa tai raskaampaa annosta kuormia ei tulisi sekoittaa yli 10 sekuntia kerrallaan. Huomioithan, että yksikään laitteen mukana tulleista resepteistä ei ylikuormita laitetta.
- Jauhatuslisäosa on tarkoitettu käytettäväksi vain kuivien ainesten kanssa.
- Kovia aineksia, kuten kanelitankoja, tähtianista tai kokonaisia kuivia maissinjyviä ei saa sekoittaa, sillä terät voivat vaurioitua.



Tämä symboli tarkoittaa, että tätä laitetta ei saa hävittää normaalin kotitalousjätteen mukana. Laite täytyy viedä asianmukaiselle elektroniikkajätteen keräyspaikalle tai liikkeeseen, joka ottaa vastaan sähkölaitteita. Lisätietoja saat kunnalta tai jätehuoltomääräyksistä.

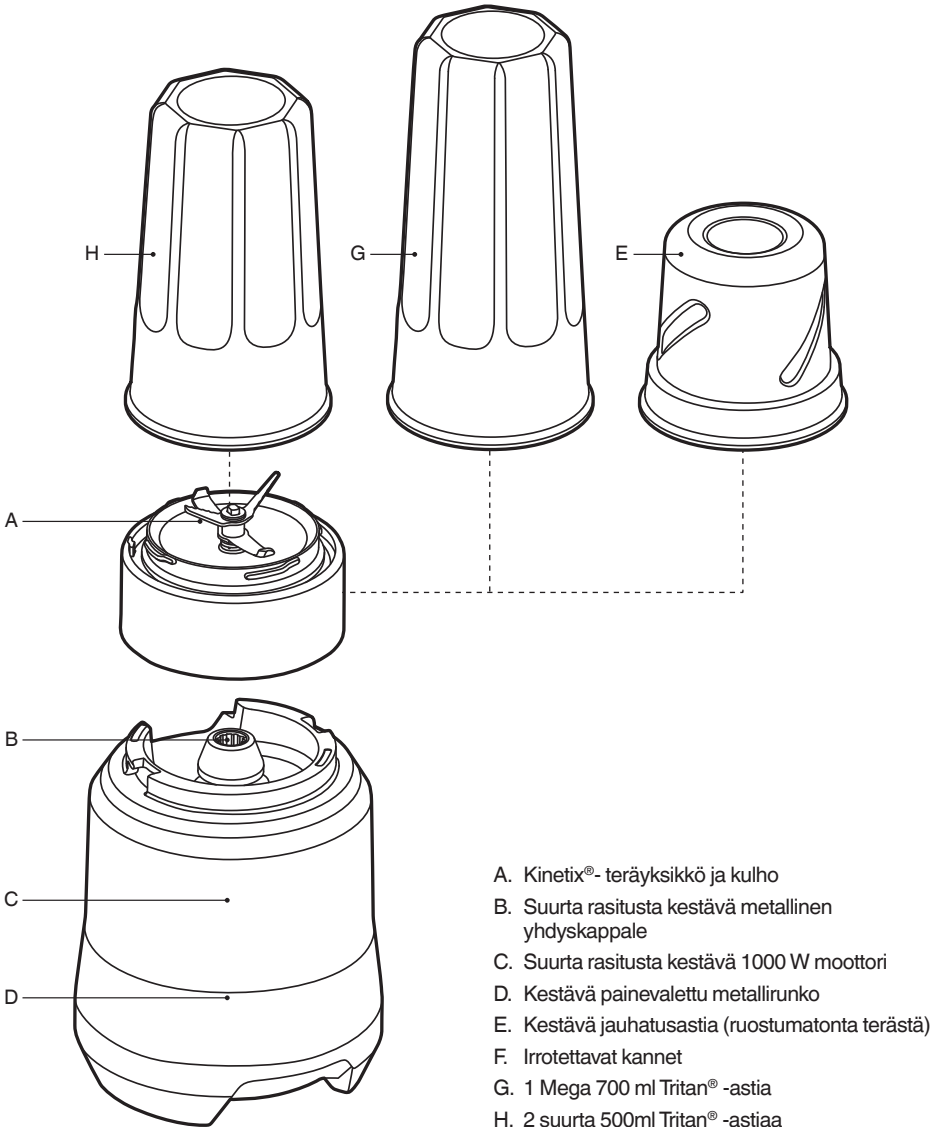


Vältäaksesi sähköiskut älä kasta virtajohtoa, pistoketta tai laitetta veteen tai muuhun nesteeseen.

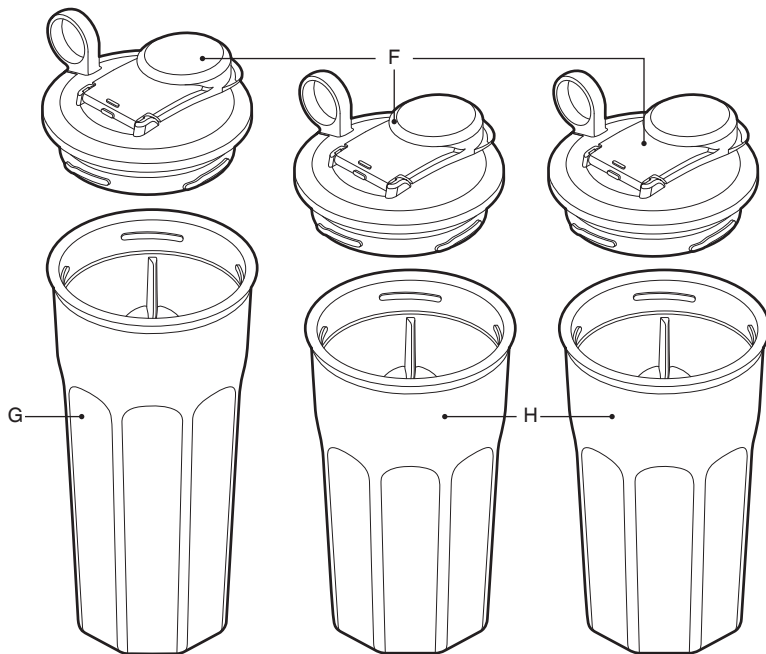
## PIDÄ OHJEET TALLESSA



## Osat



**CE** Teho  
220-240 V ~50 Hz 1000 W



## EASTMAN TRITAN™ -KOPOLYESTERI

- Mitta-astiat on tehty Eastman Tritan™ -kopolyesteristä, joka on kova BPA-vapaa polymeeri. Siitä tehdään kotitaloustuotteita, jotka kestävät kovaa käyttöä ja toistuvaa konepesua. Tritan™-tuotteet kestävät iskut hyvin eivätkä pirstaloidu. Ne ovat kirkkaita ja kestäviä vielä satojen konepesukertojen jälkeenkin.

## SAGE ASSIST™ -PISTOKE

- Sage®-laitteessasi on ainutlaatuinen Sage Assist™ -pistoike, jossa on sormenreikä, jotta se on helppo irrottaa pistorasiasta.



## Kokoonpano

### ENNEN ENSIMMÄISTÄ KÄYTTÖÄ

- Poista tehosekoittimesta pakkaus- ja mainontamateriaalit ennen ensimmäistä käyttökertaa.
- Ole varovainen, kun käsittelet teriä. Ne ovat teräviä.
- Pese astiat, kannet, teräyksikkö ja lisäosat lämpimällä pesuainvedellä ja pehmeällä liinalla. Huuhtelee ja kuivaa huolellisesti. Kaikki osat (paitsi moottoriyksikkö) voidaan pestä astianpesukoneen yläosassa.

- Moottori saattaa käytyä hieman ensimmäisellä käyttökerralla. Se on normaalia ja loppuu käytön myötä.

### KOKOONPANO

1. Irrota terät ja aseta astia niin, että avoin puoli on ylöspäin.
2. Lisää ainekset, mutta älä täytä MAX-merkin yli.
3. Kiinnitä teräyksikkö kääntämällä neljäosakierroksen verran myötäpäivään. Varmista, että teräyksikön panta on kunnolla paikallaan, ennen kuin käännät astian.



## Toiminnot

### KÄYTTÖ

- Tehosekoitin toimii vain, jos terät ja astia on koottu oikein. Silloin osien välinen turvalukitus sallii moottorin käytön.
- Kun astia ja teräyksikkö on koottu oikein ja ainekset ovat astiassa, käännä astia ympäri ja aseta se moottoriyksikön päälle ohjamerkintöjen mukaisesti.
- Kun haluat sekoittaa, pidä astiasta tiukasti kiinni ja käännä sitä myötäpäivään ON-asentoon.
- Kun seoksen koostumus on hyvä, käännä astiaa vastapäivään, jotta moottori sammuu.
- Älä sekoita yli 60 sekunnin ajan yhtäjaksoisesti. Anna moottorin jäähtyä 2 minuuttia, ennen kuin jatkat.
- Älä jauha yli 30 sekuntia yhtäjaksoisesti. Anna moottorin ja jauhatusosan jäähtyä 30 sekuntia, ennen kuin jatkat.
- Voit sekoittaa aineksia hieman (pulssaus) kääntämällä astiaa asentojen välillä, jolloin moottori käynnistyy ja sammuu.
- Kun lopetat sekoittamisen, odota muutamia sekunteja, jotta terät pysähtyvät, ennen kuin irrotat astiakokonaisuuden moottoriyksiköstä.
- Käännä astia ympäri ja anna ainesten valua pois teristä, ennen kuin irrotat terät. Pidä kiinni teräosan pannasta ja käännä vastapäivään, kun haluat irrottaa.
- Turvallisuussyistä irrota virtapistoke seinästä, kun sekoitus on ohi.
- Jauhatusosat toimivat samalla tavoin kuin astiat. Terät kiinnitetään samalla tavalla, ja sekä pulssaus että jatkuva sekoitus onnistuvat yllä kuvatulla tavalla.
- Jauhatuskupin teräspinta voi olla liian kuuma kosketettavaksi, jos jauhatus jatketaan yli 30 sekuntia. Pidä muovipannasta kiinni, kun irrotat.

### YLIKUORMITUSSUOJA

- Tehosekoittimessa on sisäinen, itsestään nollautuva ylikuormitussuoja, joka suojaaa moottoria ylikuormituksen tai jatkuvan käytön vaurioilta. Jos tehosekoitin yhtäkkiä lakkaa toimimasta, suoja on saattanut aktivoitua.

- Irrota astia, irrota pistoke seinästä ja anna laitteen jäähtyä vähintään 30 minuuttia. Älä aseta astiakokonaisuutta paikalleen jäähtymisen aikana, sillä suoja voi nollautua, jolloin laite käynnistyy yllättäen.
- Suojan aktivoituminen on merkki siitä, että laitetta kuormitetaan liikaa tai käyttö on liian jatkuvaa. Vähennä käytettävää ainesmäärää tai anna laitteen jäähtyä kauemmin käyttökertojen välissä, jotta suoja ei käynnisty ja moottori kestä pidempään.
- MAX-viivaa noudattamalla vältät useimmiten ylikuormituksen, joskin jotkin erityisen paksut seokset tai sitkeät ainekset voivat silti rasittaa moottoria. Jos moottori vaikuttaa kuormittuvan suuresti tai toimivan hitaasti, käytä laitetta vain 10 sekuntia kerrallaan tai vähennä ainesmäärää. Paksua seosta voi myös ohentaa lisäämällä nestettä.



## Hoito & puhdistus

Irrota pistoke seinästä aina käytön jälkeen turvallisuussyistä.

### Astiat ja kannet

Jotta astiat ja kannet pysyvät puhtaina, älä anna ruokajäämien kuivua niiden pintaan. Toimi näin mahdollisimman pian käytön jälkeen:

- Huuho ainejäämät irti teristä, astiasta ja kannesta.
- Pese ne käsin lämpimässä vedessä. Käytä mietoa pesuainetta ja raapimatonta sientä.

### Moottoriyksikkö

Pyyhi moottoriyksikkö kostealla, pehmeällä liinalla ja kuivaa sitten hyvin. Pyyhi ruokajäämät virtajohdosta.

### Puhdistusaineet

Älä käytä karkeita karhunkieliä tai hankaavia puhdistusaineita moottoriyksikön tai astioiden puhdistukseen, sillä ne voivat naarmuttaa pintoja. Käytä ainoastaan lämmintä saippuavettä ja pehmeää liinaa.



## Paineistuminen

Astiat voidaan huuhdella laskemalla niihin kylmää vettä, kiinnittämällä terät ja joko tehosekoittamalla tai ravistamalla käsin 10 sekuntia.

**TÄRKEÄÄ TIETOA:** Kuumen veden ja/tai pesuaineen käytössä on paineistumisen riski.

Kun huuhtelet terät sekoittamalla/ravistamalla, älä koskaan käytä lämmintä tai kuumaa vettä, sillä vesihöyry voi aiheuttaa painetta astiaan.

Älä käytä huuhtelussa pesuainetta, sillä vaahtoaminen voi aiheuttaa painetta astiaan.

## Astianpesukone

Astiat, kannet ja teräyksikkö voidaan pestä astianpesukoneen yläosassa.

## Vaikeat ruokatahrat ja tuoksut

Vahvasti tuoksuvat ruoat sekä jotkin vihannekset, kuten porkkanat, voivat jättää tuoksuja ja tahroja teriin, astiaan tai kanteen.

Poista ne täyttämällä astia MAX-merkkiin asti lämpimällä saippuavedellä. Anna liota 5 minuutin ajan. Pese sitten miedolla astianpesuaineella ja lämpimällä vedellä, huuhtelee ja kuivaa. Säilytä astiat ilman kantta.

## Sitrus

Sitrushedelmien öljyt voivat vaikuttaa Tritan-astioiden kirkauteen ja käyttöikänsä. Pesuaineella pesun jälkeen huuhtelee astiat huolellisesti vedellä ja anna niiden kuivua. Älä liota, jos sekoittimella on sekoitettu sitrushedelmiä.

## Säilytys

Säilytä pystyssä, astiat ja terät koottuna ja moottoriyksikön päällä tai sen vieressä. Älä säilytä laitetta niin, että astia on käännetty ON-asentoon, koska silloin moottori käynnistyy heti, kun laite kytketään verkkovirtaan.



## Ongelmatilanteet

### Moottori ei käynnisty tai terä ei pyöri

- Varmista, että pistoke on kunnolla pistorasiassa.
- Ylikuormitussuoja voi olla aktivoitunut (lue lisää alta).

### Tehosekoitin sammui kesken käytön

- Laitteessa on moottoria suojaava ylikuormitussuoja, joka saattoi käynnistyä. Irrota pistoke seinästä, irrota astia ja anna moottorin jäähtyä 30 minuuttia. Kun laite on jäähtynyt, voit käyttää sitä normaalisti.
- Suosittelemme, että sekoitat ainekset pienemmissä erissä tai pilkot ne pienemmiksi. Lue lisää kohdasta Ylikuormitussuoja.

### Ruoka on paakkuista tai sekoittunut epätasaisesti

- Näin voi käydä, jos liikaa aineksia yritetään sekoittaa kerralla. Pienennä ainesmäärää ja sekoita tarvittaessa erissä.
- Ainekset voivat olla liian suuria. Pilko ne pienemmiksi palasiksi. Parhaan lopputuloksen saat, kun palojen koko on enintään 2 cm.

### Ruoka tarttuu terään tai astiaan

- Seos on liian paksua. Lisää nestettä ja/tai sekoita pulssaten.



# Takuu

## 2 VUODEN RAJOITETTU TAKUU

Sage Appliances myöntää tälle tuotteelle kotitalouskäytössä määritetyillä alueilla 2 vuoden takuun ostopäivästä lukien. Takuu kattaa viat, jotka aiheutuvat valmistus- ja materiaalivirheistä. Takuuaikana Sage Appliances korjaa, vaihtaa tai hyvittää vialliset tuotteet (Sage Appliancesin harkinnan mukaan).

Kaikki lakisääteiset virhevastuuoikeudet ovat voimassa, eikä valmistajan myöntämä takuu vaikuta niihin. Täydelliset takuehdot ja lisätietoja takuupyynnön tekemisestä on osoitteessa [www.sageappliances.com](http://www.sageappliances.com).



# Muistiinpanoja

GBR

BRG Appliances Limited  
Unit 3.2, Power Road Studios,  
114 Power Road, London, W4 5PY  
Freephone (UK Landline): 0808 178 1650  
Mobile Calls (National Rate): 0333 0142 970

DEU

AUT

Sage Appliances GmbH  
Campus Fichtenhain 48, 47807 Krefeld,  
Deutschland  
Deutschland: 0800 505 3104  
Österreich: 0800 80 2551

FRA

Sage Appliances France SAS  
Siège social: 66 avenue des Champs  
Élysées – 75008 Paris  
879 449 866 RCS Paris  
France: 0800 903 235

IRE

Ireland  
1800 932 369

ITL

Italy  
800 909 773

BEL

Belgium  
0800 54 155

NLD

Netherlands  
0800 020 1741

LUX

Luxembourg  
0800 880 72

CHE

Switzerland  
0800 009 933

ESP

Spain  
0900 838 534

POR

Portugal  
0800 180 243

NO

Norway  
80 024 976

SE

Sweden  
0200 123 797

DK

Denmark  
080 820 827

FI

Finland  
0800 412 143

# Sage®

[www.sageappliances.com](http://www.sageappliances.com)

Registered in England & Wales No. 8223512  
Registered in Germany No. HRB 81309 (AG Düsseldorf)  
Registered in France No. 879 449 866 RCS

EN Due to continued product improvement, the products illustrated or photographed in this document may vary slightly from the actual product.

DEU Aufgrund unserer kontinuierlichen Produktverbesserungen kann die hier gezeigte Abbildung geringfügig vom tatsächlichen Produkt abweichen.

FRA En raison de leur amélioration continue, les produits représentés ou photographiés dans le présent document peuvent différer légèrement du produit réel.

ITL A causa del continuo miglioramento dei prodotti, il prodotto descritto o illustrato in questo documento può variare leggermente rispetto al prodotto reale.

NLD Vanwege voortdurende productverbeteringen, kunnen de afgebeelde producten in dit document licht afwijken van het eigenlijke product.

ESP Perfeccionamos nuestros productos continuamente, por lo que el artículo podría diferir ligeramente de la ilustración o la fotografía en este documento.

POR Devido à melhoria contínua dos produtos, os produtos ilustrados ou fotografados neste documento podem variar ligeiramente do produto real.

DK På grund af løbende produktudvikling kan de illustrerede eller fotograferede produkter i dette dokument variere en smule fra det faktiske produkt.

SE På grund av kontinuerlig produktförbättring kan produkterna som visas i illustrationerna och fotografierna i detta dokument skilja sig något från den faktiska produkten.

FI Jatkuvan tuotekehittelyn seurauksena kuvituksen tuotteet eivät välttämättä ole täysin samankaltaisia kuin varsinaisen tuote.

NO På grunn av kontinuerlig produktutvikling kan produktene som er vist eller avfotografert i dette dokumentet, variere noe fra det faktiske produktet.

Copyright BRG Appliances 2021

SPB620 UG7 – A21