

the Boss To Go™

BPB550



EN QUICK GUIDE

Sage®



Contents

- 2 Important Safeguards
- 6 Components
- 7 Assembly
- 7 Functions
- 8 Troubleshooting
- 9 Care & Cleaning
- 9 Guarantee

SAGE® RECOMMENDS SAFETY FIRST

At Sage® we are very safety conscious. We design and manufacture consumer products with the safety of you, our valued customer, foremost in mind. In addition we ask that you exercise a degree of care when using any electrical appliance and adhere to the following precautions.

IMPORTANT SAFEGUARDS

**READ ALL INSTRUCTIONS
BEFORE USE AND SAVE
FOR FUTURE REFERENCE**

- A downloadable version of this document is also available at sageappliances.com

- Before using the first time ensure your electricity supply is the same as shown on the label on the underside of the appliance.
- Remove and safely discard any packaging materials before first use.
- To eliminate a choking hazard for young children, safely discard the protective cover fitted to the power plug.
- This appliance is for household use only. Do not use the appliance for anything other than its intended use. Do not use in moving vehicles or boats. Do not use outdoors. Misuse may cause injury.
- Fully unwind the power cord before operating.
- Position the appliance on a stable, heat resistant, level, dry surface away from the edge and do not operate on or near a heat source such as a hot plate, oven or gas hob.

Opening a pressurised tumbler may lead to ingredients splattering, or may cause burning/scalding if the contents are hot.

To minimise the risk of this happening, always follow the instructions below:

- Never blend hot or warm ingredients. Stop the blending process if contents become hot due to blending.

- Never blend any ingredients for more than 1 minute. Blending for more than 1 minute may cause the ingredients to become hot and steam may cause the tumbler to become pressurised.
- Never attempt to unscrew the blade from the base of the tumbler when the tumbler becomes pressurised due to steam build-up. Allow tumbler to cool to room temperature before carefully unscrewing the blade.
- Never blend carbonated liquid, detergent, or any ingredient that could expand or generate a gas.
- Never fill the tumbler beyond the tumbler's indicated maximum capacity.
- If leakage occurs during blending, immediately stop blending and unplug the unit from the power point. Check to ensure that the tumbler is not filled past the maximum level and that there is no damage to the seal or to the tumbler. Clean up the leakage with a dry towel and screw the tumbler firmly to the blending mechanism before resuming blending.
- Vibration during operation may cause the appliance to move.
- Do not let the power cord hang over the edge of a bench or table, touch hot surfaces or become knotted.
- Always ensure the appliance is turned OFF, unplugged at the power outlet and has been allowed to cool before cleaning, attempting to move or storing.
- Always turn the appliance to the off position, switch off at the power outlet and unplug at the power outlet when the appliance is not in use.
- Do not use the appliance if the power cord, plug, or appliance becomes damaged in any way. If damaged or maintenance other than cleaning is required, please contact Sage Customer Service or go to sageappliances.com
- Any maintenance other than cleaning should be performed by an authorised Sage® service centre
- Children should not play with the appliance.
- Cleaning of the appliance should not be carried out by children unless they are 8 years or older and supervised.
- The appliance and its cord should be kept out of reach of children aged 8 years and younger.
- The installation of a residual current safety switch is recommended to provide additional safety when using all electrical appliances.

Safety switches with a rated operating current not more than 30mA are recommended. Consult an electrician for professional advice.

- Always ensure the appliance is properly assembled before use. The appliance will not operate unless properly assembled.
- Do not use the appliance on a sink drain board.
- Keep hands, fingers, hair, clothing as well as spatulas and other utensils away from moving or rotating parts during operation.
- Do not use the appliance for anything other than food and/or beverage preparation.
- In order to avoid the possible hazard of the appliance starting by itself due to inadvertent resetting of the overload protection, do not attach an external switching device (such as a timer) or connect the appliance to a circuit that can regularly switch the appliance on and off.
- Carefully read all instructions before operation and save for future reference.
- The appliance can be used by persons with reduced physical or mental capabilities or a lack of experience and knowledge, only if they have been given supervision or instruction

concerning use of the appliance in a safe way and understand the hazards involved.

- This appliance shall not be used by children.
- Do not leave the appliance unattended when in use.
- Allow the motor to rest for 1 minute between each use.
- Do not place any part of the appliance in the microwave oven.
- Be careful when handling and cleaning blades, as they are very sharp. Mishandling of the blades may cause injury.
- Avoid putting the cup or jug on the motor base while the motor is still spinning.
- Do not operate without any ingredients in the cup or jug.
- Never attempt to operate with damaged blades, or with utensils, or any foreign objects inside the cup or jug.
- Do not put the cup or jug in extremes of heat or cold, for example placing a cold jug into hot water, or vice versa.
- Blades must be firmly secured to cup before operation to ensure internal contents do not escape or spray.
- Never attempt to operate or place the blade assembly onto the motor base without the cup in place.

- Do not fill the cup past the MAX level marking as this will cause the motor to strain under heavy load and may cause potential leakage. It will also reduce blending performance. Note that some mixtures increase in volume when blending.
- A heavy load is defined as per the appliance safety standard specified load (500mL cup filled to the maximum indicated level with a mixture comprising two parts by mass of soaked diced carrots and 3 parts water). Any load equivalent to this or heavier should not be operated for more than 10 seconds at a time. Note that none of the recipes supplied with this product are considered heavier than this load.



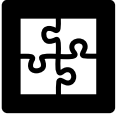
The symbol shown indicates that this appliance should not be disposed of in normal household waste.

It should be taken to a local authority waste collection centre designated for this purpose or to a dealer providing this service. For more information, please contact your local council office.

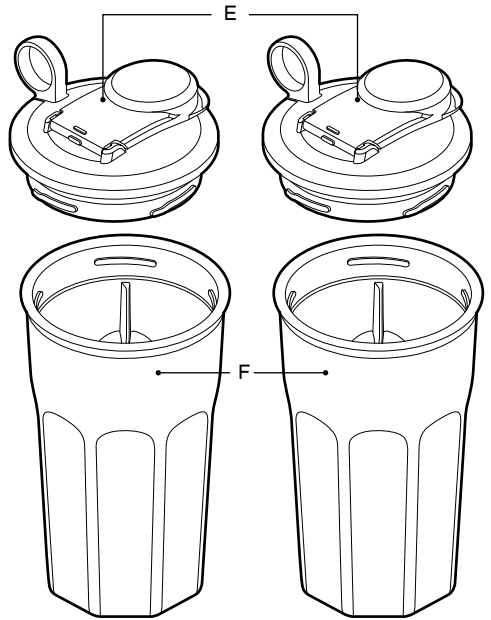
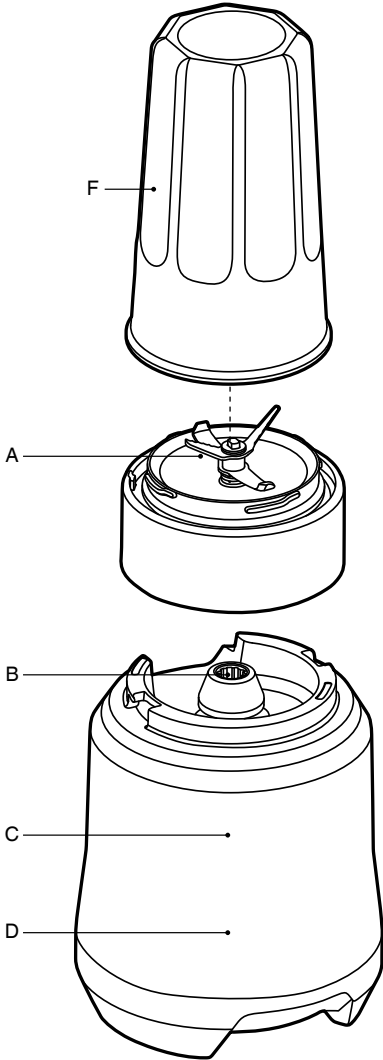


To protect against electric shock, do not immerse the power plug, cord or appliance in water or any liquid.

SAVE THESE INSTRUCTIONS



Components



- A. Kinetix® blade and bowl assembly
- B. Heavy duty metal coupling
- C. Heavy duty 1000W motor
- D. Durable die-cast metal base
- E. Portable lids
- F. 2 Large 500ml Tritan® Tumblers

CE Rating Information
220-240V~ 50Hz 1000W



Assembly

BEFORE FIRST USE

- Before using your blender for the first time, remove any packaging material and promotional labels.
- Be careful when handling the blades as they are extremely sharp.
- Wash the tumblers, lids, blade assembly and attachments in warm soapy water with a soft cloth. Rinse and dry thoroughly. All parts (except motor base) may be washed in the dishwasher, on the top shelf.
- When first using your blender, you may notice an odour coming from the motor. This is normal and will dissipate with use.

ASSEMBLY

1. Remove blades and position the cup with opening facing up.
2. Add ingredients avoiding filling past the MAX line.
3. Fix the blade assembly in place with a quarter turn in the clockwise direction. Ensure the blade assembly collar is securely in place before inverting the cup to blend.



Functions

OPERATION

- The blender will only work when the blades and cup are correctly assembled. This engages the safety interlock, and allows the motor to run.
- Do not blend continuously for more than 60 seconds at a time. Allow the motor to rest for 2 minutes before continuing.
- Ingredients can be pulsed by rotating the cup within the bayonet positions, which will turn the motor on and off.
- When finished blending, wait a few seconds for the blades to stop spinning before lifting the cup assembly off the motor base.
- For safety, turn the motor base off at the wall and unplug when finished blending.



Troubleshooting

Motor doesn't start or blade doesn't rotate

- Check that the power plug is properly inserted into the power outlet.
- Overload Protection System may have operated (see below).

Blender stopped suddenly while in use

- This extractor has overload protection to prevent damage to the motor, which may have operated. Unplug, remove the cup and allow the motor to cool down for 30 minutes. Once cooled, you will be able to use as usual again.
- We recommend blending in smaller batches, or cutting ingredients into smaller pieces. See Overload Protection System section for detailed information.

Food is lumpy or unevenly blended

- This can happen when too much food is being blended at one time. Try a smaller amount, and work in batches if necessary.
- The ingredients may be too large. Try cutting into smaller pieces. For best results, ingredients should be in pieces no larger than 2cm.

Food sticks to blade and cup

- The mixture may be too thick. Try adding more liquid and/or pulsing the blender.
-



Care & Cleaning

Unplug the power cord from the power outlet after use for safety reasons.

Tumbler cups and lids

To keep your cups and lids clean, avoid allowing food residue to dry on them. Follow these steps as soon as possible after use:

- Rinse most of the residue off the blades, cup and lid.
- Hand wash in warm, soapy water using a mild liquid detergent and non-abrasive sponge.

Motor base

To clean the motor base, wipe with a soft, damp cloth then dry thoroughly. Wipe any excess food particles from the power cord.

Cleaning agents

Do not use abrasive scouring pads or cleansers on either the motor base or the cups, as they may scratch the surface. Use only warm soap water with a soft cloth.

Pressurisation

The cups may be rinsed by adding cold water, attaching blades, and either blending or shaking by hand for 10 seconds.

IMPORTANT: There is a risk of pressurisation from hot water and/or detergent.

When rinsing by attaching blades and blending/shaking, never add hot or even warm water, as the steam produced can create dangerous pressurisation.

Do not add detergent, as the foam produced will expand and may cause pressurisation.

Dishwasher

The cups, lids and blade assembly may be washed in the dishwasher on the top shelf only.

Citrus

Exposure to citrus oil may affect the clarity and longevity of the Tritan cups. After washing in detergent, rinse with plain water thoroughly, and allow to dry immediately. Do not soak if citrus has been blended. Do not attach blades when washing with detergent.

Storage

Store upright with the cups and blades assembled and resting on the motor base, or beside it. Do not store with the cup turned to the ON position, as this means the motor is engaged and will turn on immediately when plugged in or switched on at the wall.



Guarantee

2 YEAR LIMITED GUARANTEE

Sage Appliances guarantees this product for domestic use in specified territories for 2 years from the date of purchase against defects caused by faulty workmanship and materials. During this guarantee period Sage Appliances will repair, replace, or refund any defective product (at the sole discretion of Sage Appliances).

All legal warranty rights under applicable national legislation will be respected and will not be impaired by our guarantee. For full terms and conditions on the guarantee, as well as instructions on how to make a claim, please visit www.sageappliances.com.



Notes



Notes

GBR

IRE

BRG Appliances Limited
Unit 3.2, Power Road Studios, 114 Power Road, London, W4 5PY
Freephone (UK Landline): +44 (0)808 178 1650
Mobile Calls (National Rate): 0333 0142 970

Sage[®]

www.sageappliances.com

Registered in England & Wales No. 8223512.

* Due to continued product improvement, the products illustrated or photographed in this document may vary slightly from the actual product.
Copyright BRG Appliances 2019.

SPB550 UG1 D19